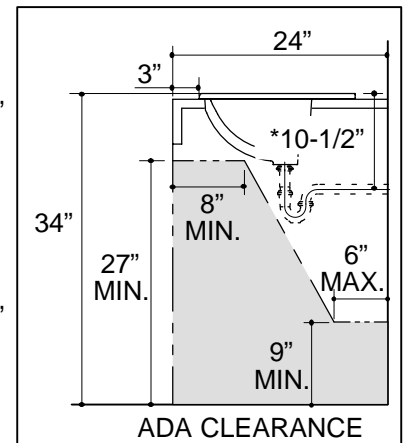
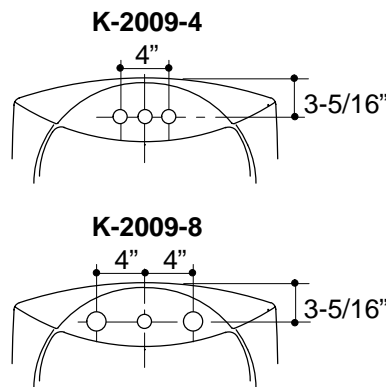
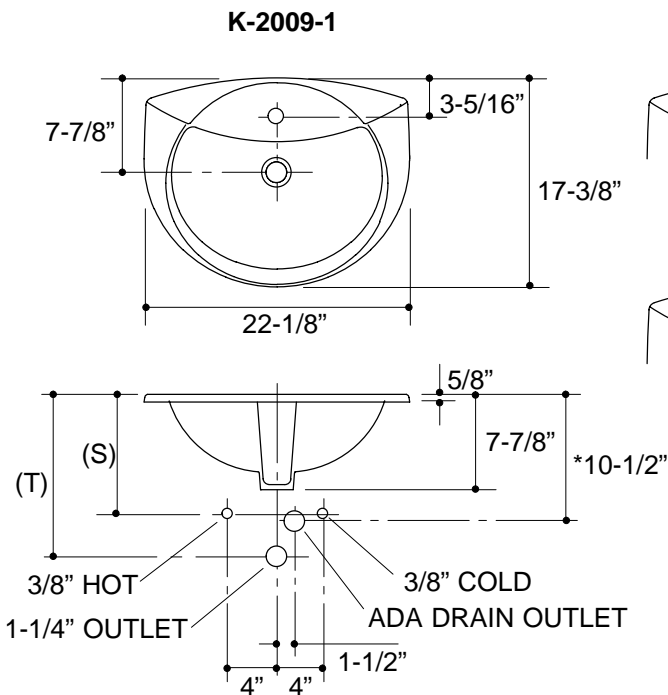


Ordering Information

Applicable product:		
Single-hole lavatory	K-2009-1	shown
4" centers lavatory	K-2009-4	not shown
8" centers lavatory	K-2009-8	not shown
Accessories/hardware		
Trap	K-8998	recommended

Product Information

ADA compliant.			
Fixture*:		basin area	water depth
Lavatory		17" x 11"	4-1/8"
Outlet	1-11/16" D.		
* Approximate measurements for comparison only.			
Holes	K-2009-1	K-2009-4	K-2009-8
Spout	1-3/8" D.	1-3/16" D.	1-3/16" D.
Faucet		1-3/16" D.	1-3/8" D.
Included Components:			
Adhesive sealant			63034
Cutout template			114518-7



Roughing-In Notes

Fixture dimensions are nominal and conform to tolerances in ASME Standard A112.19.2M.

*Based on K-8998 with 1" of tailpiece exposed.

(T) Pop-up drain 13-1/2", grid drain 12-5/8"

Supply (Based on 12" riser which may require cutting).	K-2009-1, K-2009-4	K-2009-8
(S)	10"	14"