

Ordering Information

Applicable product:		
Left seat	K-1539	not shown
Right seat	K-1540	shown
Accessories/hardware:		
Drain	K-9132	recommended
Focal shower door or Forum™ shower door or Helios™ shower door	K-701112 or K-703024 or K-704014	recommended

Product Information

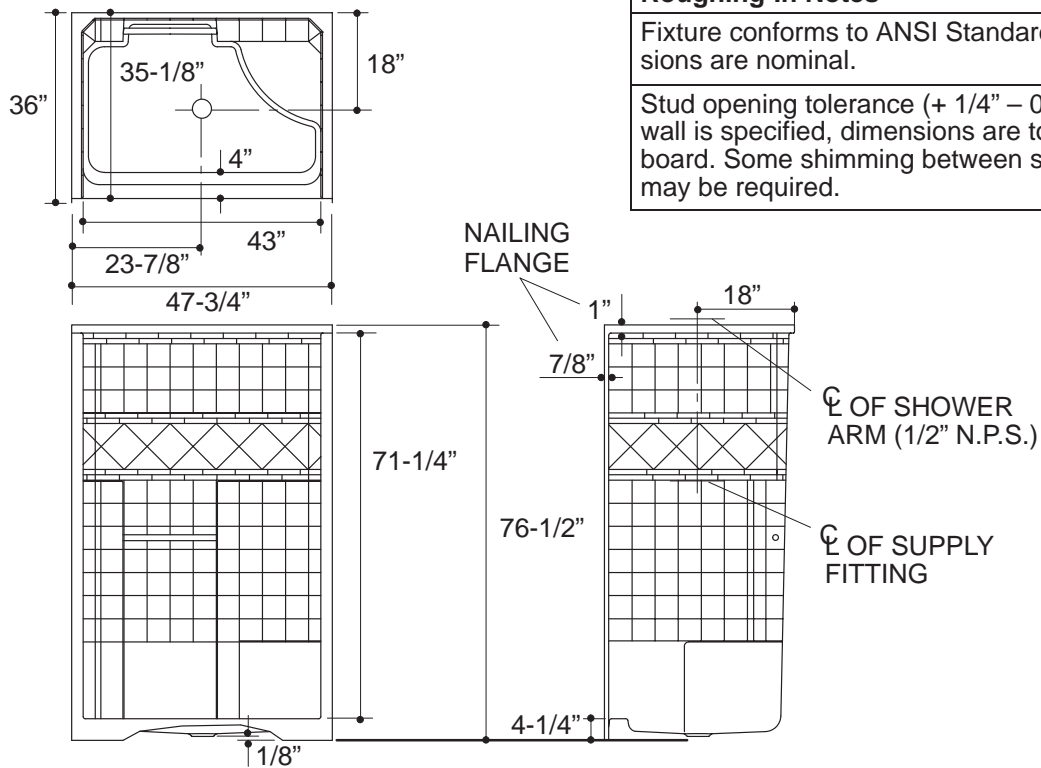
Fixture:	
Weight	117 lbs.
Configuration	1-piece
Outlet	3-3/8" D.

Installation Notes

Refer to installation instructions included with fixture before beginning installation.

Fixture not drilled for supply fittings.

Shimming may be required to level fixture.



Roughing-In Notes

Fixture conforms to ANSI Standard Z124.2. All dimensions are nominal.

Stud opening tolerance (+ 1/4" - 0"). When fire rated wall is specified, dimensions are to the inside of the wall board. Some shimming between stud frame and fixture may be required.

.90<132