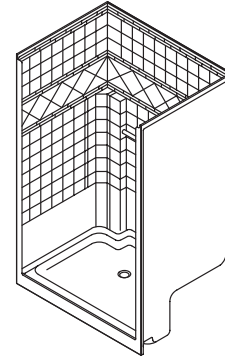


K-1539, K-1540



FEATURES

- 47-3/4" x 36" x 76-1/2"
- Fiberglass (FRP)
- Integral ledges
- Integral seat at left or right
- Molded-in floor pattern
- Tile-look walls

CODES/STANDARDS APPLICABLE

Specified model meets or exceeds the following:

- ANSI Z124.2
- IAPMO/UPC
- Canadian Standards Association (CSA)
- State of Massachusetts

COLORS/FINISHES

- 0 White
- Other Refer to Fixtures Price Book for additional colors

Accessories:

- 0 White
- CP Polished Chrome
- PB Polished Brass
- SH Bright Silver
- BH Bright Brass
- Other Refer to Fixtures Price Book for additional colors

SPECIFIED MODEL:

Model	Description	Colors/Finishes	
K-1539	Shower stall with seat at left	<input type="checkbox"/> 0 White	<input type="checkbox"/> Other_____
K-1540	Shower stall with seat at right	<input type="checkbox"/> 0 White	<input type="checkbox"/> Other_____

Recommended Accessories				
K-9132	Drain	<input type="checkbox"/> CP	<input type="checkbox"/> PB	<input type="checkbox"/> Other_____
K-701112	Focal shower door* OR	<input type="checkbox"/> SH	<input type="checkbox"/> BH	<input type="checkbox"/> White
K-703024	Forum™ shower door* OR	<input type="checkbox"/> SH	<input type="checkbox"/> BH	<input type="checkbox"/> White
K-704014	Helios™ shower door*	<input type="checkbox"/> SH	<input type="checkbox"/> BH	<input type="checkbox"/> White

* Refer to Fixtures Price Book for glass options.

PRODUCT SPECIFICATION:

The shower stall shall be 47-3/4" in length, 36" in width, and 76-1/2" in height. Shower stall shall be made of fiberglass (FRP). Shower stall shall have integral ledges. Shower stall shall have integral seat at left or right. Shower stall shall have a molded-in floor pattern. Shower stall shall have tile-look walls. Shower stall shall be Kohler Model K-_____-_____.

TERRACINA

PRODUCT INFORMATION

Fixture:	
Weight	117 lbs.
Configuration	1-piece
Outlet	3-3/8" D.

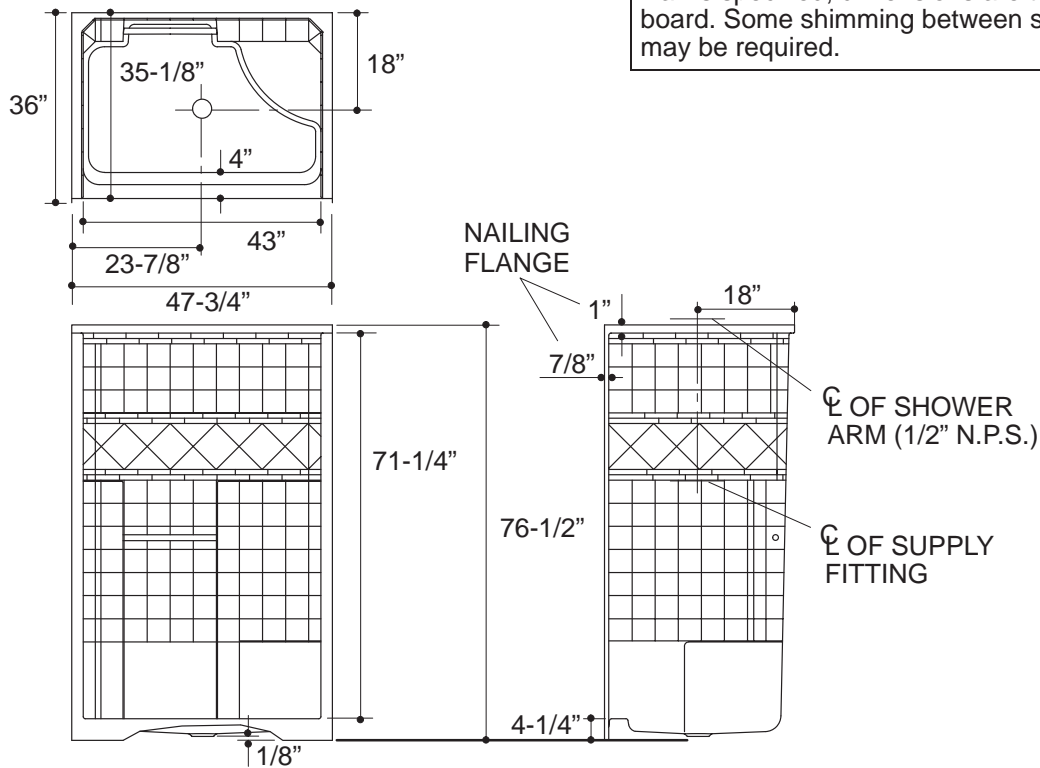
INSTALLATION NOTES

Fixture not drilled for supply fittings.

Shimming may be required to level fixture.

Roughing-In Notes

Stud opening tolerance (+ 1/4" - 0"). When fire rated wall is specified, dimensions are to the inside of the wall board. Some shimming between stud frame and fixture may be required.



.90<132

PRODUCT DIAGRAM

K-1539, K-1540 Terracina 48" Shower Stall

Page 2 of 2

114529-4-CA (-)

THE BOLD LOOK
OF **KOHLER**