

Ordering Information

Applicable product:		
Left outlet	K-1543	shown
Right outlet	K-1542	not shown
Accessories/hardware:		
Drain	K-7160-AF	recommended
Focal shower door or Forum™ shower door or Helios™ shower door or Helios™ shower door	K-701025 or K-703012 or K-704010 or K-704012	recommended

Product Information

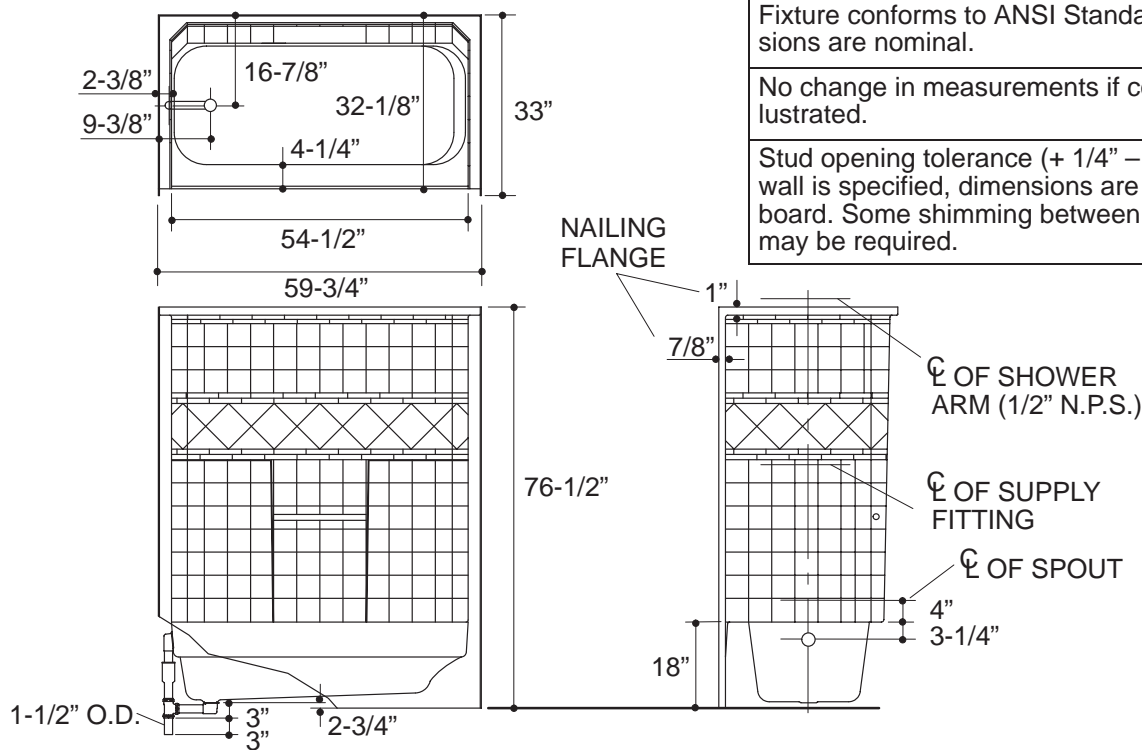
Fixture*:	basin area	top area	weight
Bathing well	45" x 19"	53" x 22"	127 lbs.
	water depth	capacity	
To overflow	10-1/2"	38 gal.	
Configuration			1-piece
* Approximate measurements for comparison only.			

Installation Notes

Refer to installation instructions included with fixture before beginning installation.

Fixture not drilled for supply fittings.

Shimming may be required to level fixture.



Roughing-In Notes

Fixture conforms to ANSI Standard Z124.2. All dimensions are nominal.

No change in measurements if connected with drain illustrated.

Stud opening tolerance (+ 1/4" - 0"). When fire rated wall is specified, dimensions are to the inside of the wall board. Some shimming between stud frame and fixture may be required.

.90<132