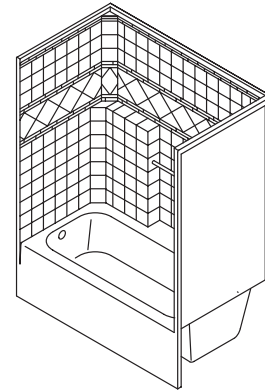


60" BATH AND SHOWER MODULE

K-1542, K-1543

FEATURES

- 59-3/4" x 33" x 76-1/2"
- Fiberglass (FRP)
- Integral ledges
- Left or right outlet
- Molded-in floor pattern
- Tile-look walls



CODES/STANDARDS APPLICABLE

Specified model meets or exceeds the following:

- ANSI Z124.2
- IAPMO/UPC
- Canadian Standards Association (CSA)
- State of Massachusetts

COLORS/FINISHES

- 0 White
- Other Refer to Fixtures Price Book for additional colors

Accessories:

- CP Polished Chrome
- PB Polished Brass
- SH Bright Silver
- BH Bright Brass

SPECIFIED MODEL:

Model	Description	Colors/Finishes	
K-1542	Bath and shower module with outlet at right	<input type="checkbox"/> 0 White	<input type="checkbox"/> Other _____
K-1543	Bath and shower module with outlet at left	<input type="checkbox"/> 0 White	<input type="checkbox"/> Other _____

Recommended Accessories				
K-7160-AF	Drain	<input type="checkbox"/> CP	<input type="checkbox"/> PB	<input type="checkbox"/> Other _____
K-701025	Focal shower door* OR	<input type="checkbox"/> SH	<input type="checkbox"/> BH	<input type="checkbox"/> White
K-703012	Forum™ shower door* OR	<input type="checkbox"/> SH	<input type="checkbox"/> BH	<input type="checkbox"/> White
K-704010	Helios™ shower door* OR	<input type="checkbox"/> SH	<input type="checkbox"/> BH	<input type="checkbox"/> White
K-704012	Helios™ shower door*	<input type="checkbox"/> SH	<input type="checkbox"/> BH	<input type="checkbox"/> White

* Refer to Fixtures Price Book for glass options.

PRODUCT SPECIFICATION:

The bath and shower module shall be 59-3/4" in length, 33" in width, and 76-1/2" in height. Shower module shall be made of fiberglass (FRP). Shower module shall have integral ledges. Shower module shall have an outlet at left or right. Shower module shall have a molded-in floor pattern. Shower module shall have tile-look walls. Shower module shall be Kohler Model K-_____-_____.

TERRACINA

PRODUCT INFORMATION

Fixture*:	basin area	top area	weight
Bathing well	45" x 19"	53" x 22"	127 lbs.
	water depth	capacity	
To overflow	10-1/2"	38 gal.	
Configuration			1-piece
* Approximate measurements for comparison only.			

INSTALLATION NOTES

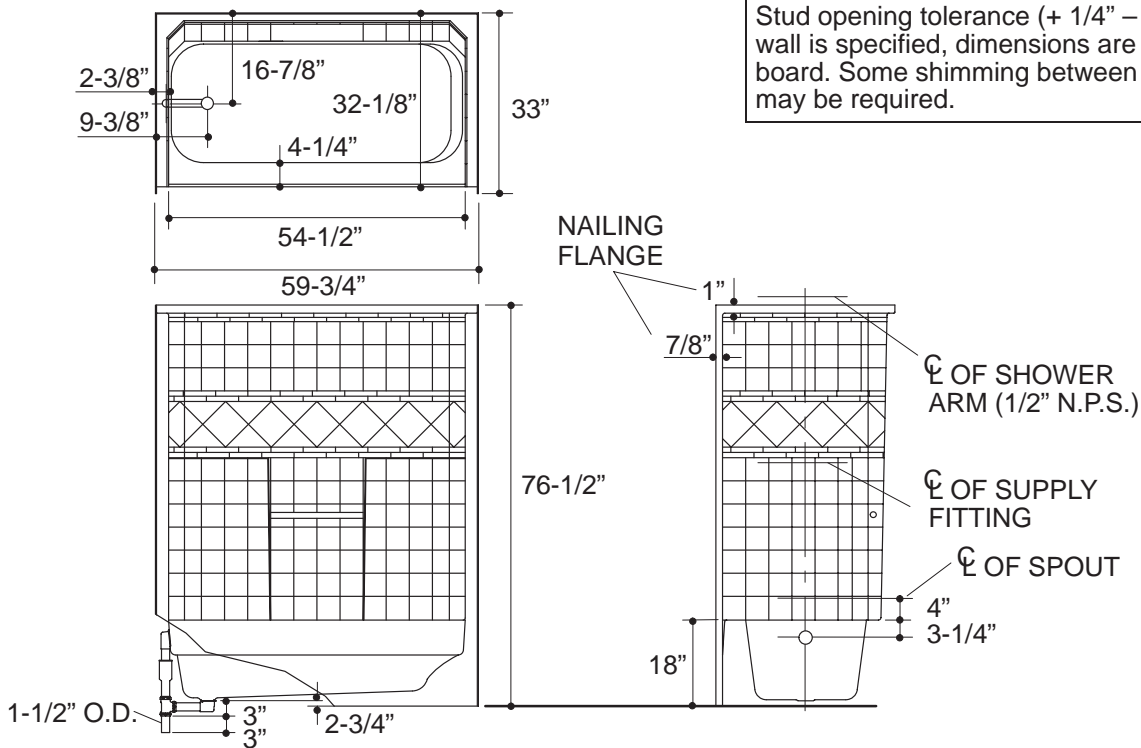
Fixture not drilled for supply fittings.

Shimming may be required to level fixture.

Roughing-In Notes

No change in measurements if connected with drain illustrated.

Stud opening tolerance (+ 1/4" – 0"). When fire rated wall is specified, dimensions are to the inside of the wall board. Some shimming between stud frame and fixture may be required.



.90<132

PRODUCT DIAGRAM