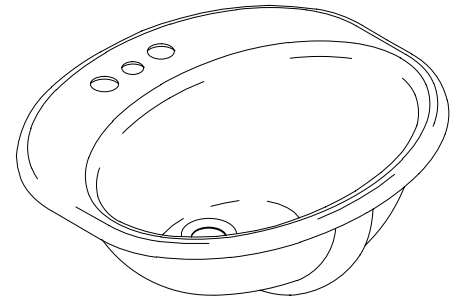


#### FEATURES

- 22" x 19"
- Cast iron
- Self-rimming
- 4" centers (K-2929-4), 8" centers (K-2929-8), single-hole (K-2929-1) drilling
- ADA compliant



#### CODES/STANDARDS APPLICABLE

Specified model meets or exceeds the following:

- ADA
- ASME/ANSI A112.19.1M
- CABO/ANSI A117.1
- IAPMO/UPC
- Canadian Standards Association (CSA)
- State of Massachusetts

#### COLORS/FINISHES

- 0 White
- Other Refer to Fixtures Price Book for additional colors

#### Accessories:

- CP Polished Chrome
- Other Refer to Faucets Price Book for additional finishes

#### SPECIFIED MODEL:

Model	Description	Colors/Finishes	
		<input type="checkbox"/> 0 White	<input type="checkbox"/> Other _____
K-2929-8	8" centers lavatory	<input type="checkbox"/> 0 White	<input type="checkbox"/> Other _____
K-2929-4	4" centers lavatory	<input type="checkbox"/> 0 White	<input type="checkbox"/> Other _____
K-2929-1	Single-hole lavatory	<input type="checkbox"/> 0 White	<input type="checkbox"/> Other _____
Recommended Accessories			
K-8998	Trap	<input type="checkbox"/> CP	<input type="checkbox"/> Other _____

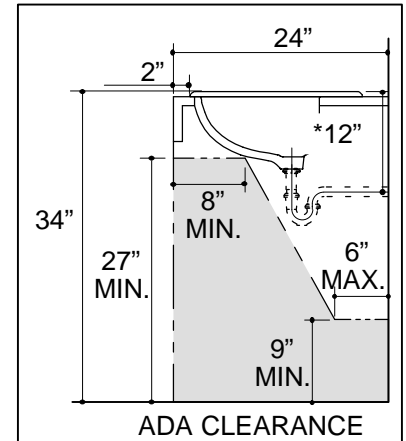
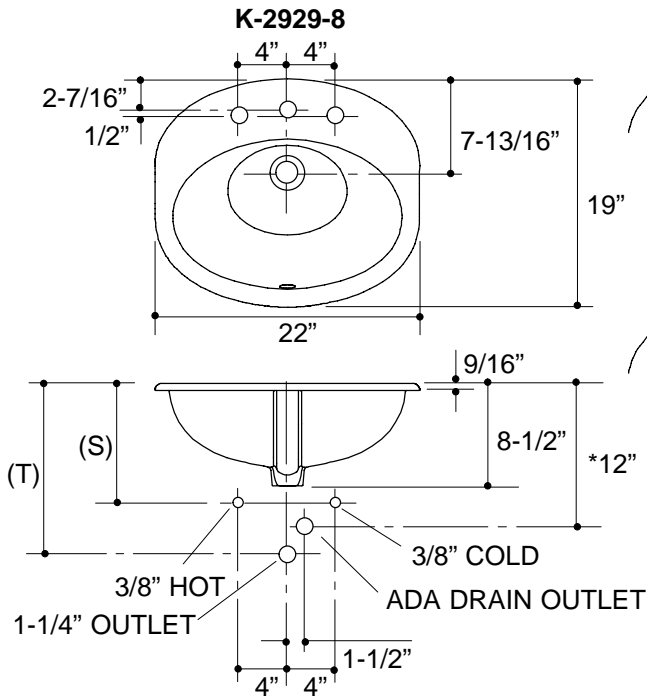
#### PRODUCT SPECIFICATION:

The parallel side self-rimming lavatory shall be 22" in length, and 19" in width. Lavatory shall be made of cast iron. Lavatory shall have 4" centers (K-2929-4), 8" centers (K-2929-8), single-hole (K-2929-1) drilling. Lavatory shall be ADA compliant. Lavatory shall be Kohler Model K-2929-\_\_\_\_\_-\_\_\_\_\_.

# PROVIDENCE™

## PRODUCT INFORMATION

ADA compliant.			
Fixture*:		basin area	water depth
Lavatory		19" x 12"	4-1/2"
Outlet	1-11/16" D.		
* Approximate measurements for comparison only.			
Holes	<b>K-2929-1</b>	<b>K-2929-4</b>	<b>K-2929-8</b>
Spout	1-3/8" D.	1-1/8" D.	1-1/8" D.
Faucet		1-3/16" D.	1-3/8" D.
Included Components:			
Overflow ferrule (1)			44071
Cutout template			114537-7



### Roughing-In Notes

\*Based on K-8998 with 1" of tailpiece exposed.

(T) Pop-up drain 14-1/8", grid drain 13-1/4"

Supply (Based on 12" riser which may require cutting).	K-2929-1, K-2929-4	K-2929-8
--	--------------------	----------

(S)	10"	14"
-----	-----	-----

## PRODUCT DIAGRAM