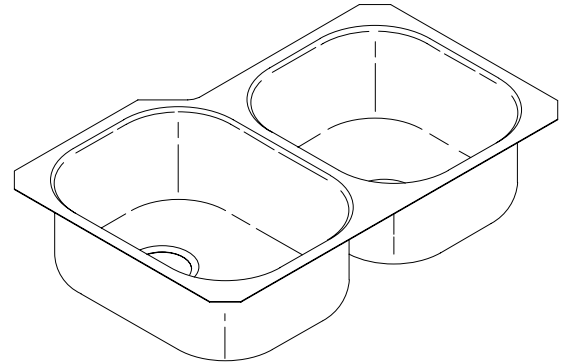


#### FEATURES

- 28-3/4" x 17-7/8"
- 18 gauge stainless steel
- Undercounter
- Double (large/medium) compartment
- Rounded bowls
- Includes installation hardware
- 7-1/2" deep basins



#### CODES/STANDARDS APPLICABLE

Specified model meets or exceeds the following:

- IAPMO/UPC
- Canadian Standards Association (CSA)
- State of Massachusetts

#### COLORS/FINISHES

- NA None Applicable

#### Accessories:

- CP Polished Chrome
- 0 White
- Other Refer to Price Book for additional colors
- NA None Applicable

#### SPECIFIED MODEL:

Model	Description	Colors/Finishes	
K-3354	Undercounter sink	<input type="checkbox"/> NA	
<b>Optional Accessories</b>			
K-3278	Hardwood cutting board (for either basin)	<input type="checkbox"/> NA	
K-3280	Wire basket (for large basin)	<input type="checkbox"/> 0 White	<input type="checkbox"/> Other_____
K-3291	Colander (for either basin)	<input type="checkbox"/> 0 White	<input type="checkbox"/> Other_____
K-8801	Duostrainer sink strainer	<input type="checkbox"/> CP	<input type="checkbox"/> Other_____

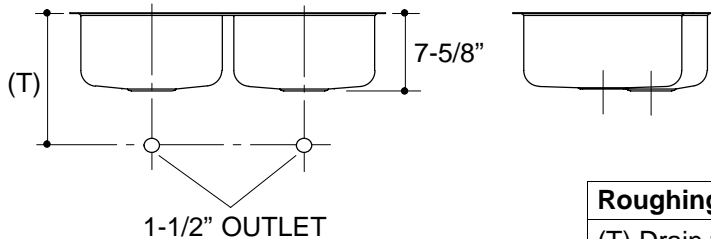
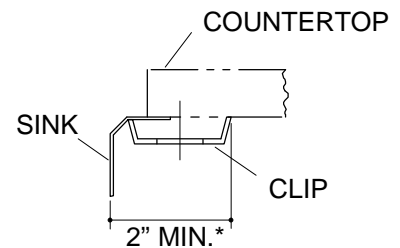
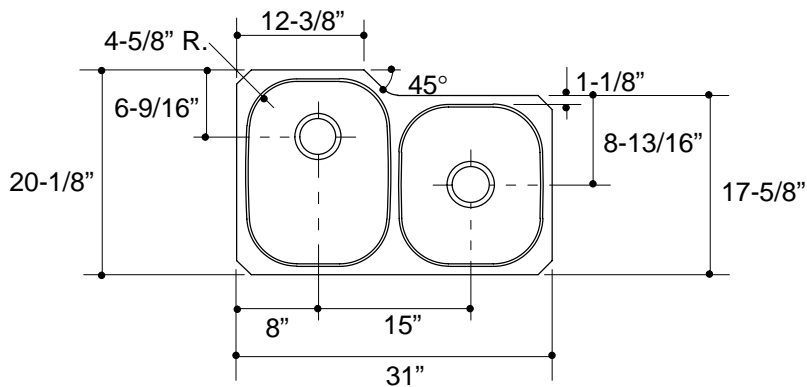
#### PRODUCT SPECIFICATION:

The undercounter sink shall be 28-3/4" in length, 17-7/8" in width. Sink shall be made of 18 gauge stainless steel. Sink shall be double (large/medium) compartment with rounded bowls. Sink shall include installation hardware. Sink shall have 7-1/2" deep basins. Sink shall be Kohler Model K-3354-\_\_\_\_\_.

# UNDERTONE™

## PRODUCT INFORMATION

Fixture*:		basin area	water depth
Sink, left		14" x 18"	7-1/2"
Sink, right		14" x 15"	7-1/2"
Outlet	3-5/8" D.		
* Approximate measurements for comparison only.			
Included Components:			
Hardware kit		91915	
Cutout template		114538-7	



### Roughing-In Notes

(T) Drain typically 13".

\* Allow clearance around sink rim for clip attachment.

.85<116

## PRODUCT DIAGRAM