

TRANSFER VALVE/VACUUM BREAKER
K-9540
ALSO K-9541

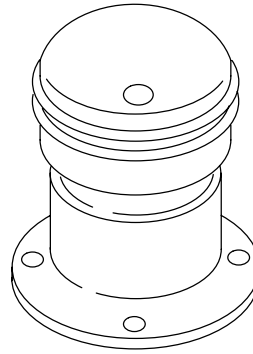
FEATURES

- Brass construction
- Intended for use with Kohler non-diverter bath spouts
- Two- or three-way configuration options
- Integral vacuum breaker for backflow prevention
- Rim-mount or deck-mount installation options

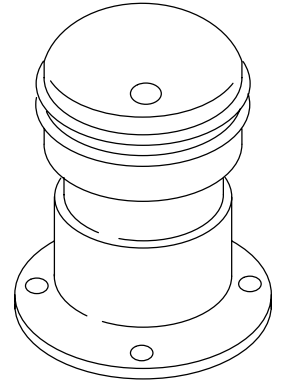
CODES/STANDARDS APPLICABLE

Specified model meets or exceeds the following:

- ASSE 1001
- ASSE 1014
- ASME/ANSI A112.18.1M
- CSA B125
- IAPMO/UPC
- Listed in the State of Wisconsin



K-9540



K-9541

COLORS/FINISHES

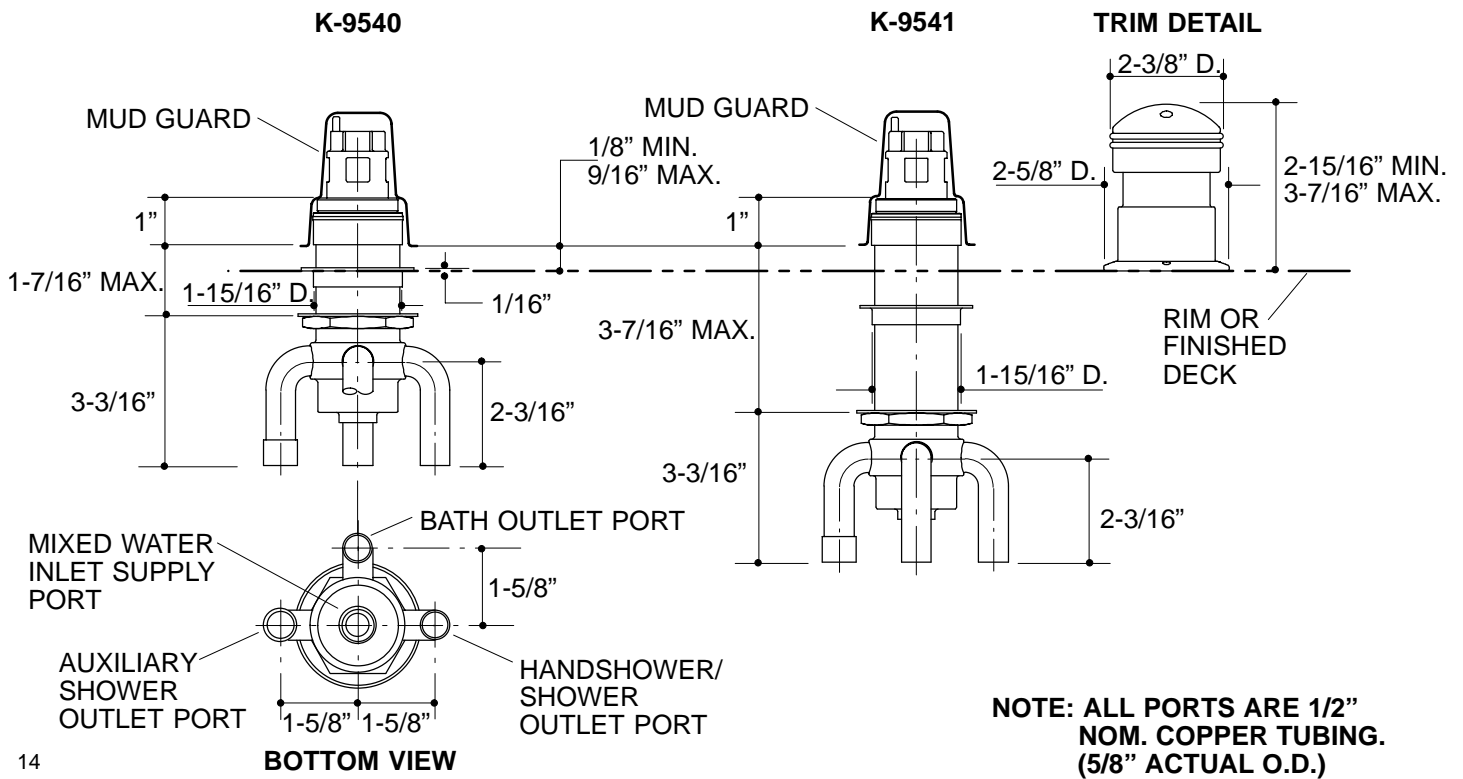
- CP Polished Chrome
- PB Polished Brass
- Other Refer to Faucets Price Book for additional finishes

SPECIFIED MODEL:

| Model | Description | | | |
|--------|------------------------------|-----------------------------|-----------------------------|-------------------------------------|
| K-9540 | For Rim-Mount Installations | <input type="checkbox"/> CP | <input type="checkbox"/> PB | <input type="checkbox"/> Other_____ |
| K-9541 | For Deck-Mount Installations | <input type="checkbox"/> CP | <input type="checkbox"/> PB | <input type="checkbox"/> Other_____ |

PRODUCT SPECIFICATION:

Two- or three-way transfer valve/vacuum breaker shall be of brass construction. Product is intended for use with Kohler non-diverter bath spouts. Product shall feature two- or three-way configuration options, and integral vacuum breaker for backflow prevention. Optional feature shall be rim-mount or deck-mount installation. Transfer valve/vacuum breaker shall be Kohler Model K-_____ - _____.



14

PRODUCT DIAGRAM