

### Ordering Information

Applicable product:		
Left hand drain	K-1273	shown
Right hand drain	K-1274	not shown
Accessories/hardware:		
Non-color matched jet trim kit	K-9695	optional
Drain	K-7161-AF	recommended

### Required Electrical Service

Dedicated circuit required, protected with Class A Ground-Fault Circuit-Interrupter (GFCI):	
Pump/control	120 V., 15 A, 60 Hz

### Product Information

Fixture*:	basin area	top area	weight
Bathing well	46" x 21"	53" x 26"	126 lbs.
	water depth	capacity	
To overflow	14-1/2"	59 gal.	

\* Approximate measurements for comparison only.

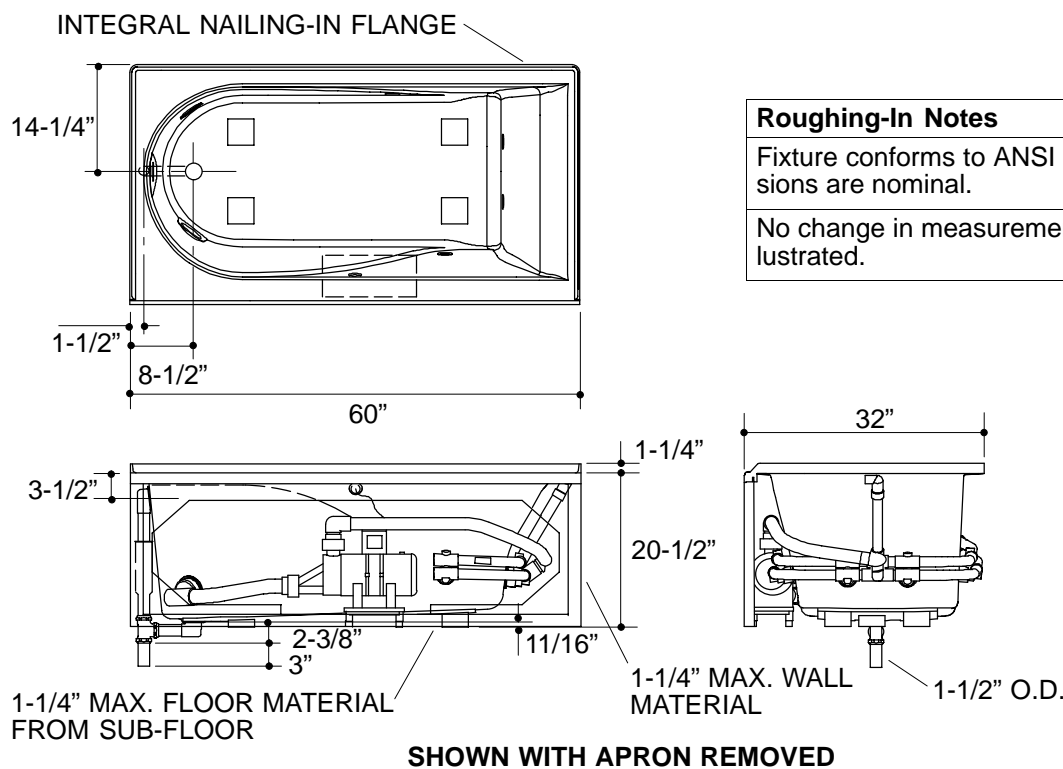
Pump:	HP	V	Hz	A
1-speed	3/4	120	60	10.5

Included Components:	
Removable apron	factory installed
Color matched jet trim kit	factory installed

### Installation Notes

Refer to installation instructions included with fixture before beginning installation.

Each pump is supplied with a grounding type plug-in cord. Locate the outlet behind the whirlpool, and within 24" of the pump.



### Roughing-In Notes

Fixture conforms to ANSI Standard Z124.1. All dimensions are nominal.

No change in measurements if connected with drain illustrated.

1.25>132