

Ordering Information

Accessories/hardware:		
Receptor	K-9537	required

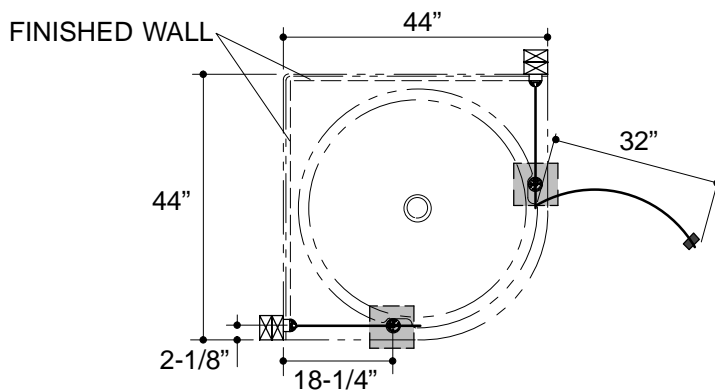
Product Information

Fixture:	
Weight, shower enclosure	160 lbs.
Glass, tempered safety	clear

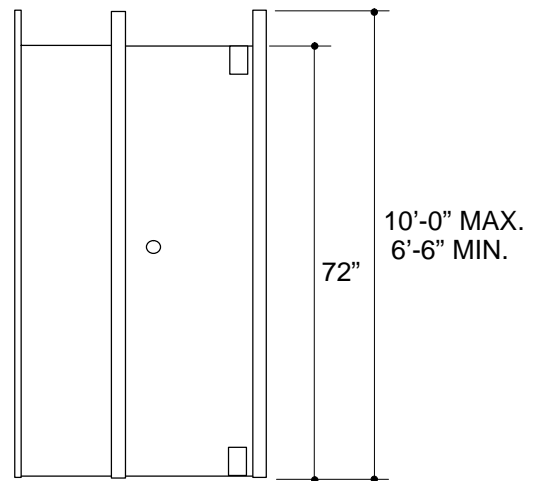
Installation Notes

Refer to installation instructions included with fixture before beginning installation.

Roughing-In Notes	
Glass conforms to ANSI Z97.1.	
	Structural support required in the ceiling above these locations.
Leave studs exposed. Shower enclosure wall jambs must be installed directly to studs.	



TOP VIEW



FRONT VIEW