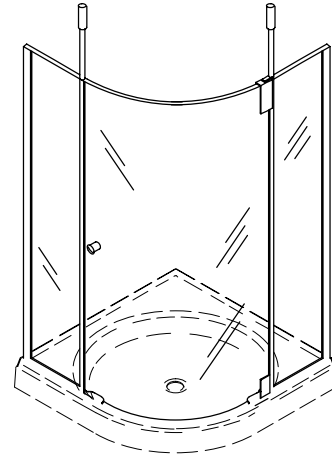


FEATURES

- 44" x 44" x 72"
- Curved clear tempered glass
- White aluminum support posts
- Two towel bars
- Pivot door with white handles and hinge hardware



CODES/STANDARDS APPLICABLE

Specified model meets or exceeds the following:

- ANSI Z97.1 (tempered glass)

COLORS/FINISHES

- 0 White

Accessories:

- CP Polished Chrome
- PB Polished Brass
- Other Refer to Faucets Price Book for additional finishes
- NA None Applicable

SPECIFIED MODEL:

Model	Description	Colors/Finishes		
K-9715	Shower enclosure	<input type="checkbox"/> 0 White		
Required Shower Receptor				
K-9537	Shower receptor	<input type="checkbox"/> 0 White		
Recommended Accessories				
K-9132	Drain	<input type="checkbox"/> CP	<input type="checkbox"/> PB	<input type="checkbox"/> Other _____
Optional Accessories				
K-1182	Vinyl tiling-in bead	<input type="checkbox"/> NA		

PRODUCT SPECIFICATION:

The shower enclosure shall be 44" in length, 44" in width, and 72" in height. Shower enclosure shall be made of curved clear tempered glass and white aluminum support posts. Shower enclosure shall have two towel bars. Shower enclosure shall have pivot door with white handles and hinge hardware. Shower receptor shall be Kohler Model K-9715-_____.

TROCADERO™

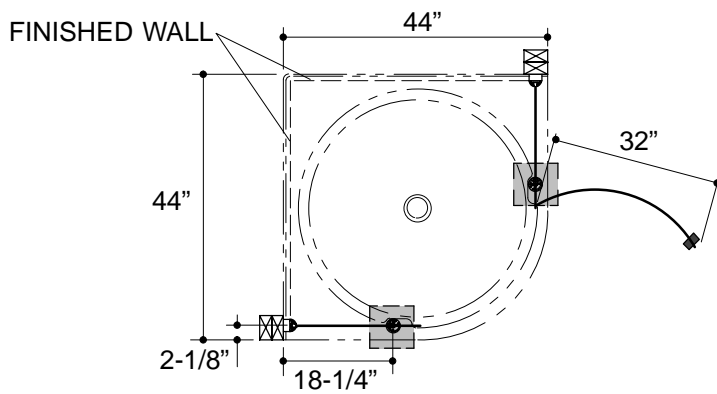
PRODUCT INFORMATION

Fixture:	
Weight, shower enclosure	160 lbs.
Glass, tempered safety	clear

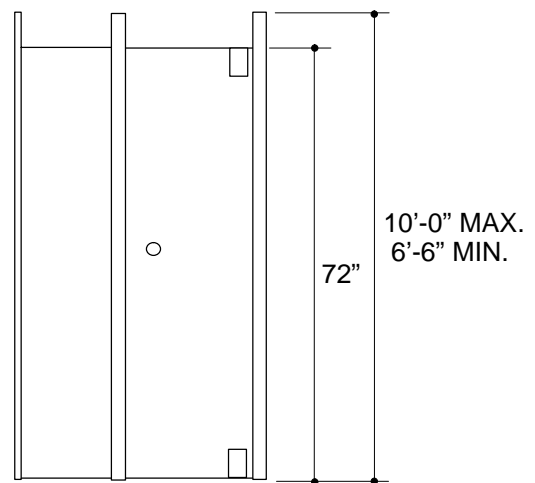
Roughing-In Notes

Structural support required in the ceiling above these locations.

Leave studs exposed. Shower enclosure wall jambs must be installed directly to studs.



TOP VIEW



FRONT VIEW

132

PRODUCT DIAGRAM