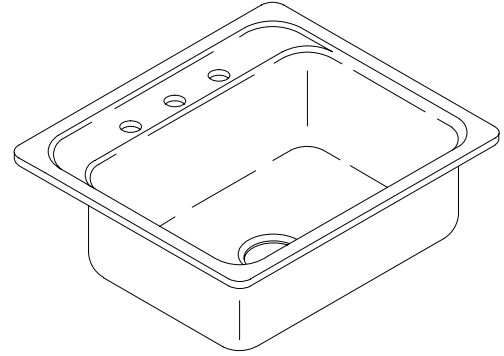


TILE-IN OR METAL FRAME KITCHEN SINK

K-5961

FEATURES

- 16" x 21"
- Cast iron
- Acid resistant enamel finish
- Tile-in or metal frame mounting
- Single compartment
- 3-hole drilling



CODES/STANDARDS APPLICABLE

Specified model meets or exceeds the following:

- ASME/ANSI A112.19.1M
- IAPMO/UPC
- Canadian Standards Association (CSA)

COLORS/FINISHES

- 0 White
- Other Refer to Fixtures Price Book for additional colors

Accessories:

- CP Polished Chrome
- NA None Applicable
- Other Refer to Price Book for additional finishes

SPECIFIED MODEL:

Model	Description	Colors/Finishes	
K-5961-3	3-hole sink	<input type="checkbox"/> 0 White	<input type="checkbox"/> Other_____

Recommended Accessories			
K-9000	Trap	<input type="checkbox"/> CP	
Optional Accessories			
K-6592	Metal frame	<input type="checkbox"/> NA	
K-8801	Duostrainer sink strainer	<input type="checkbox"/> CP	<input type="checkbox"/> Other_____

PRODUCT SPECIFICATION:

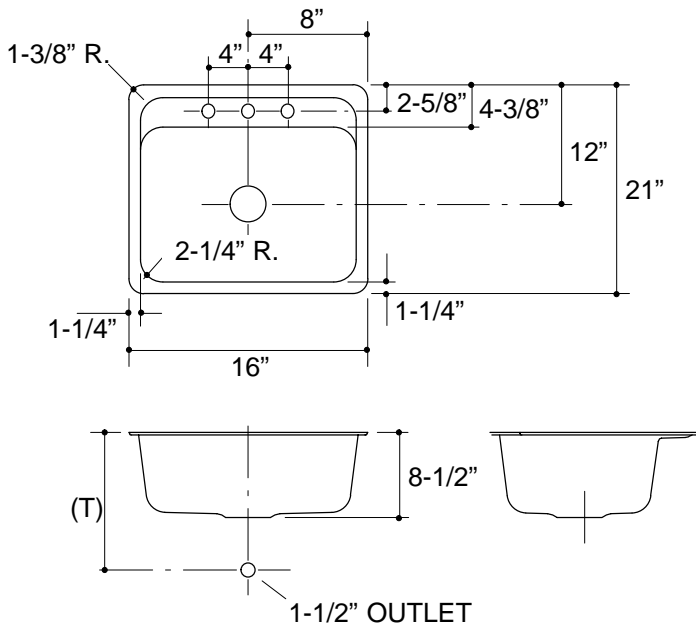
The tile-in or metal frame mounting sink shall be 16" in length, and 21" in width. Sink shall be made of cast iron with acid resistant enamel finish. Sink shall be single compartment. Sink shall be 3-hole drilled. Sink shall be Kohler Model K-5961-3-_____.

MAYFIELD™

PRODUCT INFORMATION

Fixture*:		basin area	water depth
Sink		15" x 14"	7-3/4"
Outlet	3-5/8" D.		
Faucet holes	1-3/8" D.		

* Approximate measurements for comparison only.



Roughing-In Notes

(T) Drain typically 13-7/8".

Cutout	Metal frame required.
--------	-----------------------

1.25>116

PRODUCT DIAGRAM