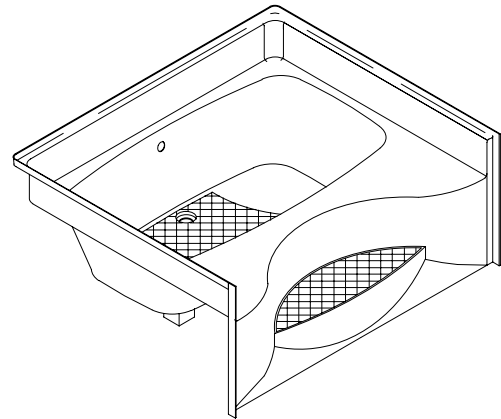


### FEATURES

- 60" x 51" x 25-3/4"
- Fiberglass (FRP)
- Integral slip-resistant step



### CODES/STANDARDS APPLICABLE

Specified model meets or exceeds the following:

- ANSI Z124.1
- IAPMO/UPC
- State of Massachusetts

### COLORS/FINISHES

- 0 White
- Other Refer to Fixtures Price Book for additional colors

#### Accessories:

- CP Polished Chrome
- PB Polished Brass
- Other Refer to Faucets Price Book for additional finishes

### SPECIFIED MODEL:

Model	Description	Colors/Finishes	
K-1603	Bath	<input type="checkbox"/> 0 White	<input type="checkbox"/> Other_____

Recommended Accessories				
K-7161-AF	Drain	<input type="checkbox"/> CP	<input type="checkbox"/> PB	<input type="checkbox"/> Other_____

### PRODUCT SPECIFICATION:

The bath shall be 60" in length, 51" in width, and 25-3/4" in height. Bath shall be made of fiberglass (FRP). Bath shall have integral slip-resistant step. Bath shall be Kohler Model K-1603-\_\_\_\_\_.

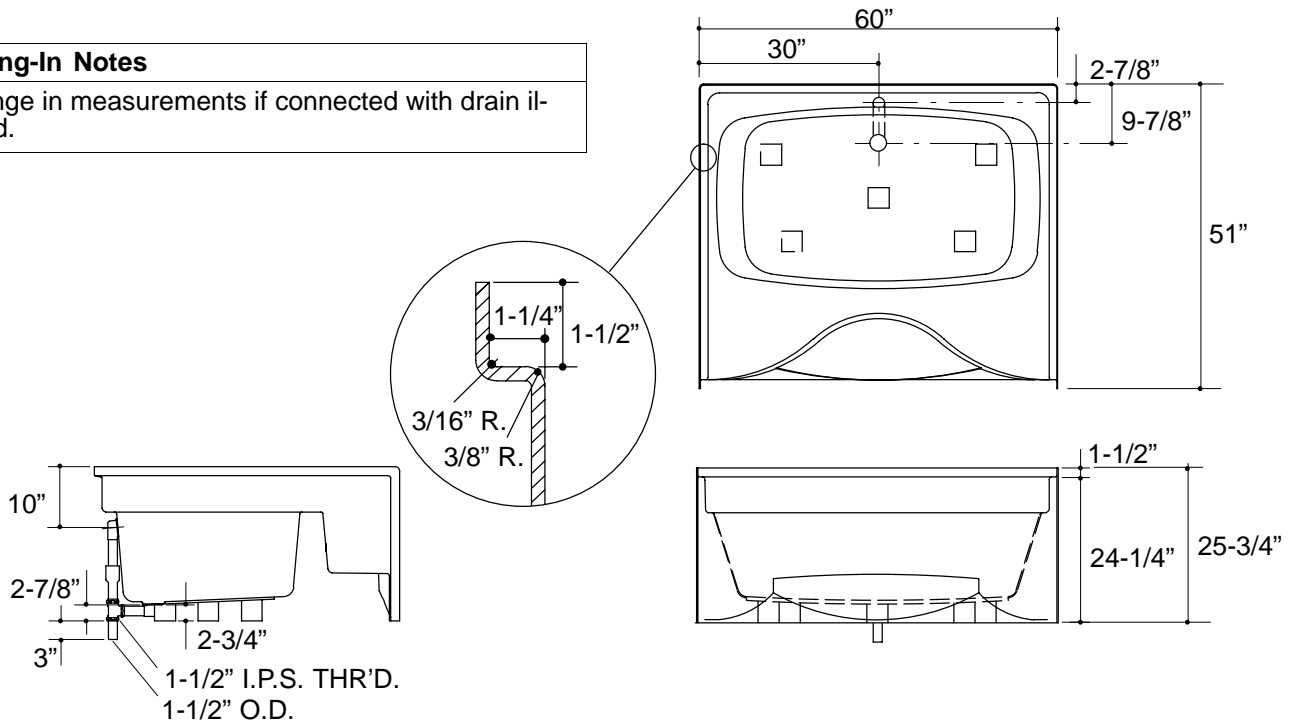
# CAPE MAY™

## PRODUCT INFORMATION

Fixture*:	basin area	top area	weight
Bathing well	44" x 26"	55" x 31"	75 lbs.
	water depth	capacity	
To overflow	11-1/2"	59 gal.	

\* Approximate measurements for comparison only.

**Roughing-In Notes**  
 No change in measurements if connected with drain illustrated.



132

## PRODUCT DIAGRAM