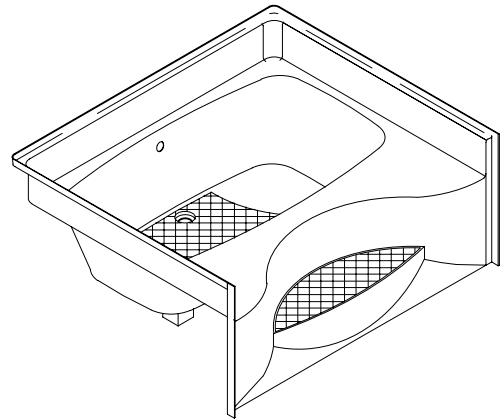


### FEATURES

- 60" x 51" x 25-3/4"
- Fiberglass (FRP)
- Integral slip-resistant step



### CODES/STANDARDS APPLICABLE

Specified model meets or exceeds the following:

- ANSI Z124.1
- IAPMO/UPC

### COLORS/FINISHES

- 0 White
- Other Refer to Fixtures Price Book for additional colors

#### Accessories:

- CP Polished Chrome
- PB Polished Brass
- Other Refer to Faucets Price Book for additional finishes

### SPECIFIED MODEL:

Model	Description	Colors/Finishes	
K-1603	Bath	<input type="checkbox"/> 0 White	<input type="checkbox"/> Other_____

Recommended Accessories				
K-7161-AF	Drain	<input type="checkbox"/> CP	<input type="checkbox"/> PB	<input type="checkbox"/> Other_____

### PRODUCT SPECIFICATION:

The bath shall be 60" in length, 51" in width, and 25-3/4" in height. Bath shall be made of fiberglass (FRP). Bath shall have integral slip-resistant step. Bath shall be Kohler Model K-1603-\_\_\_\_\_.

**CAPE MAY™**

**PRODUCT INFORMATION**

**PRODUCT DIAGRAM**

### Ordering Information

Accessories/hardware:		
Drain	K-7160-AF	recommended

### Product Information

Fixture*:	basin area	top area	weight
Bathing well	1118 x 660mm	1397 x 787mm	34 Kg.
	water depth	capacity	
To overflow	292mm	223 litres	
* Approximate measurements for comparison only.			

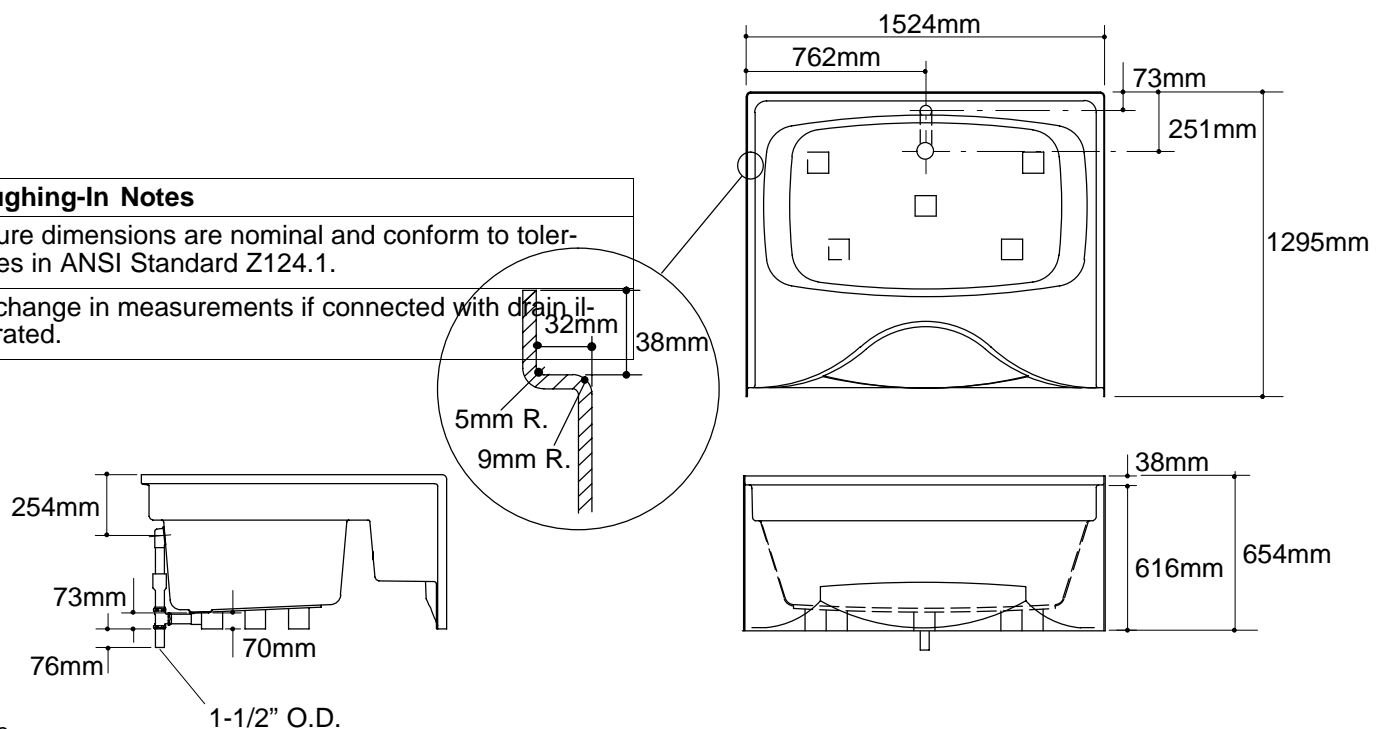
### Installation Notes

Refer to installation instructions included with fixture before beginning installation.

#### Roughing-In Notes

Fixture dimensions are nominal and conform to tolerances in ANSI Standard Z124.1.

No change in measurements if connected with drain illustrated.



132