

## Ordering Information

Applicable product:		
Drop-in rim style	K-1267	shown
Left outlet, integral flange	K-1267-L	not shown
Right outlet, integral flange	K-1267-R	not shown
Accessories/hardware:		
Drain	K-7161-AF	recommended
Apron	K-1279	optional
Vinyl tiling-in bead*	K-1181	optional
*Use K-1181 vinyl bead when wall material contacts any top surface of the drop-in rim style bath.		

## Product Information

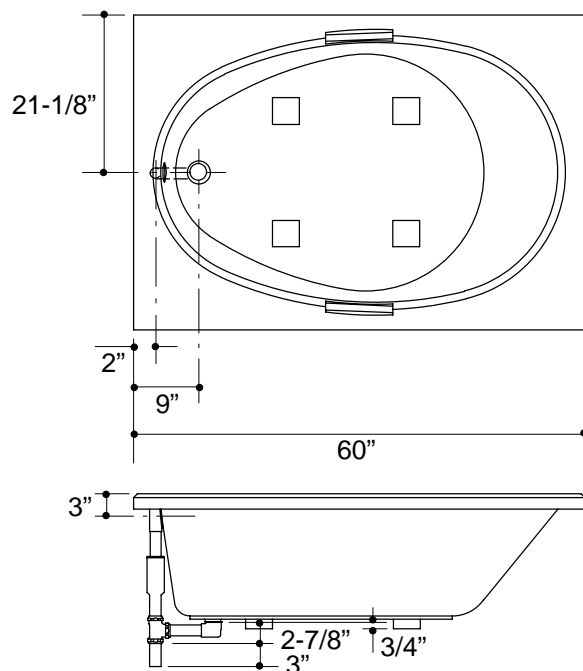
Fixture*:	basin area	top area	weight
Bathing well	42" x 28"	52" x 30"	75 lbs.
	water depth	capacity	
To overflow	12-1/2"	55 gal.	
* Approximate measurements for comparison only.			

## Installation Notes

Refer to installation instructions included with fixture before beginning installation.

If installing a rim-mount faucet, make sure there is no interference with drain overflow before drilling any holes. Consult local and national codes for minimum air gap requirements if installing a spout on the faucet deck.

The apron must be installed before the finish floor and wall materials are installed.



1.25>132

## Roughing-In Notes

Fixture conforms to ANSI Standard Z124.1. All dimensions are nominal.

No change in measurements if connected with drain illustrated.

Cut-out	Drop-in rim style, 58" x 40"
---------	------------------------------

