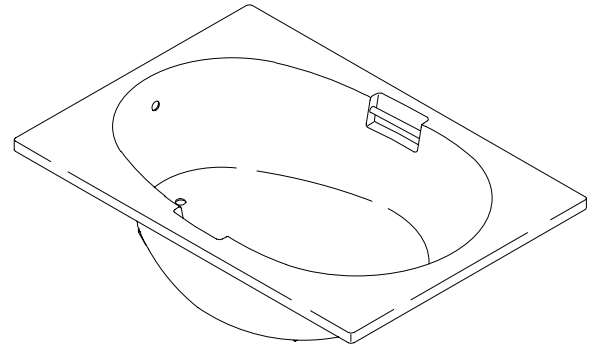


### FEATURES

- 60" x 42-1/4" x 18"
- Acrylic
- Drop-in rim style or integral flange
- Acrylic grab bars
- Optional K-1279 front apron



### CODES/STANDARDS APPLICABLE

Specified model meets or exceeds the following:

- ANSI Z124.1
- IAPMO/UPC
- State of Massachusetts

### COLORS/FINISHES

- 0 White
- Other Refer to Fixtures Price Book for additional colors

#### Accessories:

- CP Polished Chrome
- PB Polished Brass
- Other Refer to Faucets Price Book for additional finishes
- NA None Applicable

### SPECIFIED MODEL:

Model	Description	Colors/Finishes	
K-1267	Drop-in rim style	<input type="checkbox"/> 0 White	<input type="checkbox"/> Other_____
K-1267-L	Left outlet, integral flange	<input type="checkbox"/> 0 White	<input type="checkbox"/> Other_____
K-1267-R	Right outlet, integral flange	<input type="checkbox"/> 0 White	<input type="checkbox"/> Other_____

#### Recommended Accessories

K-7161-AF	Drain	<input type="checkbox"/> CP	<input type="checkbox"/> PB	<input type="checkbox"/> Other_____
-----------	-------	-----------------------------	-----------------------------	-------------------------------------

#### Optional Accessories

K-1181	Vinyl tiling-in bead (use when wall material contacts any top surface of bath)	<input type="checkbox"/> NA	
K-1279	Apron (removable)	<input type="checkbox"/> 0 White	<input type="checkbox"/> Other_____

### PRODUCT SPECIFICATION:

The bath shall be 60" in length, 42-1/4" in width, and 18" in height. Bath shall be made of acrylic. Bath shall be either drop-in rim style or integral flange. Bath shall have clear acrylic grab bars. Bath shall have optional K-1279 front apron. Bath shall be Kohler Model K-1267-\_\_\_\_\_.

# DOCKSIDE™

## PRODUCT INFORMATION

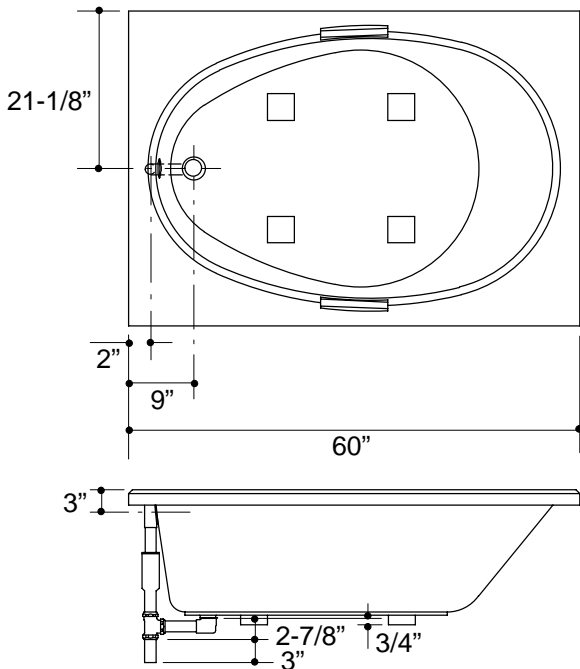
Fixture*:	basin area	top area	weight
Bathing well	42" x 28"	52" x 30"	75 lbs.
	water depth	capacity	
To overflow	12-1/2"	55 gal.	

\* Approximate measurements for comparison only.

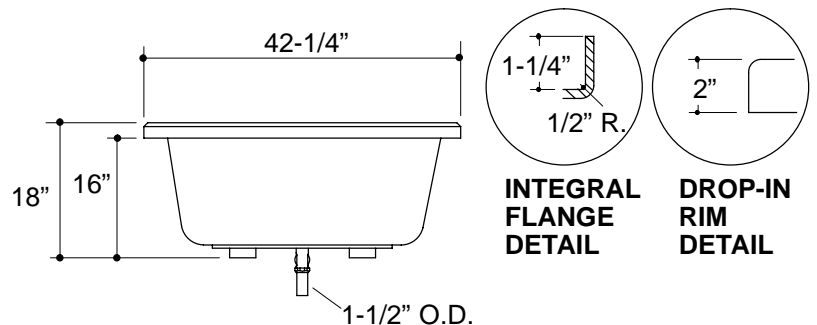
## INSTALLATION NOTES

If installing a rim-mount faucet, make sure there is no interference with drain overflow before drilling any holes. Consult local and national codes for minimum air gap requirements if installing a spout on the faucet deck.

The apron must be installed before the finish floor and wall materials are installed.



Roughing-In Notes	
No change in measurements if connected with drain illustrated.	
Cut-out	Drop-in rim style, 58" x 40"



1.25>132

## PRODUCT DIAGRAM