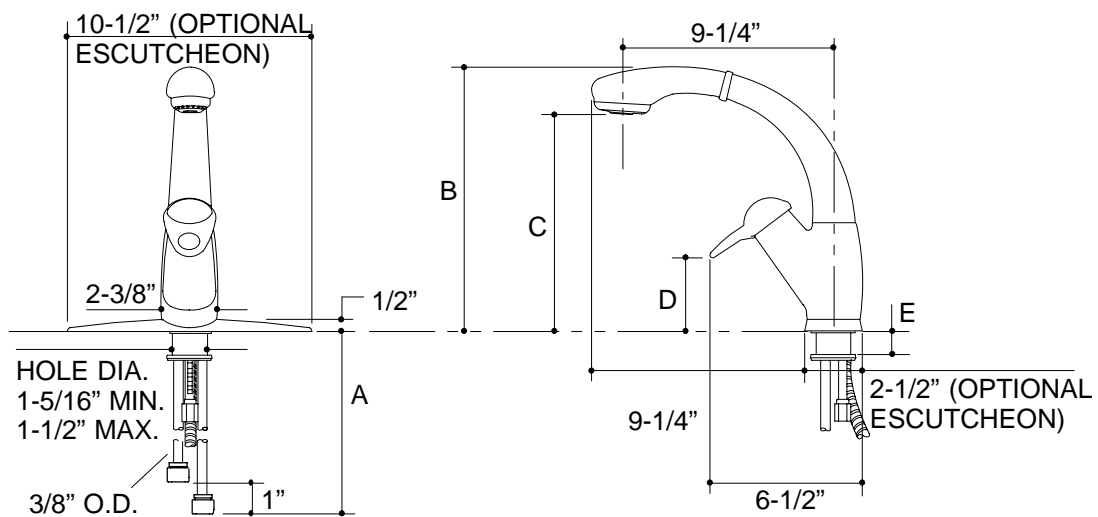


Ordering Information

Applicable faucet:	
With pull-out spray	K-6350
ADA Lever handle is ADA compliant	



Roughing-In Notes					
	A	B	C	D	E
With escutcheon	11-1/8"	11-5/8"	9-3/8"	3-1/8"	2-5/8"
Without escutcheon	11-5/8"	11-1/8"	8-7/8"	2-5/8"	3-1/8"

1/8

K-6350 Avatar™ Kitchen Faucet
114585-1-AA (9619)

KOHLER®

NOTES: