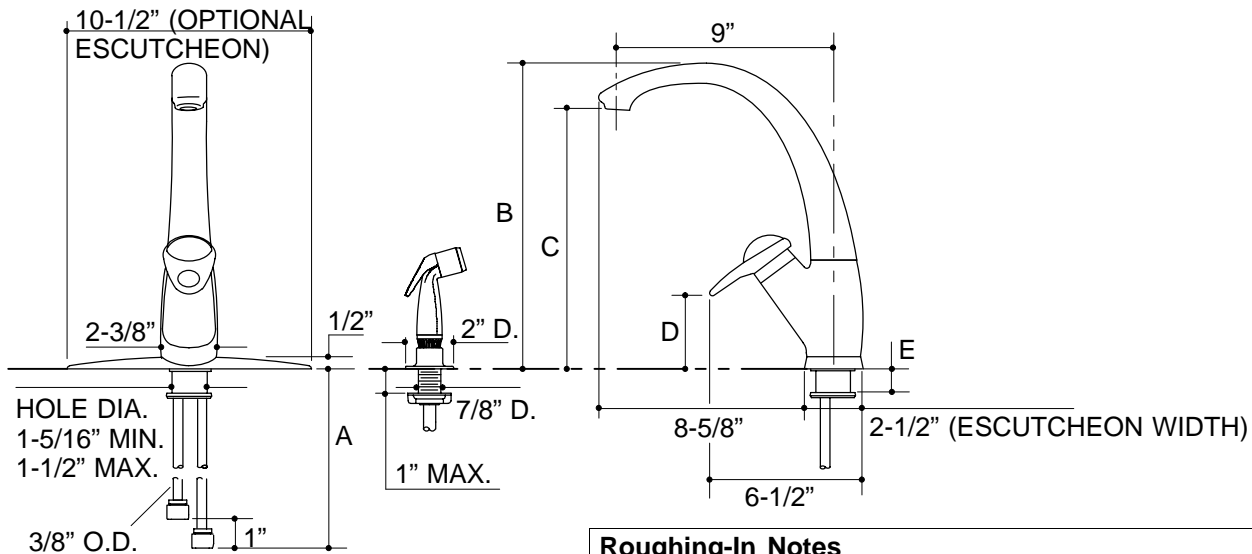


### Ordering Information

Applicable faucet:	
Without spray	K-6354
With spray	K-6356
<b>ADA</b> Lever handle is ADA compliant	



#### Roughing-In Notes

	A	B	C	D	E
With escutcheon	11-1/8"	13"	10-7/8"	3-1/8"	2-5/8"
Without escutcheon	11-5/8"	12-1/2"	10-3/8"	2-5/8"	3-1/8"