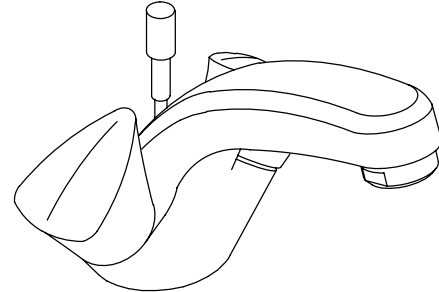


**LAVATORY FAUCET  
K-14513-1**

**FEATURES**

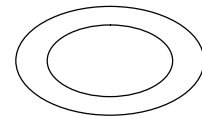
- Brass construction
- Single-hole mounting
- Brass valve bodies
- Quarter-turn washerless ceramic disc valves
- 4-3/4" spout
- 2.0 gallons per minute
- Pop-up drain with lift rod and tailpiece
- Euro handles
- Optional escutcheon plate is available for 4" centerset installations



**CODES/STANDARDS APPLICABLE**

Specified model meets or exceeds the following:

- ASME/ANSI A112.18.1M
- Energy Policy Act of 1992
- NSF 61



**COLORS/FINISHES**

- CP Polished Chrome
- PB Polished Brass
- Other Refer to Faucets Price Book for additional finishes

**SPECIFIED MODEL:**

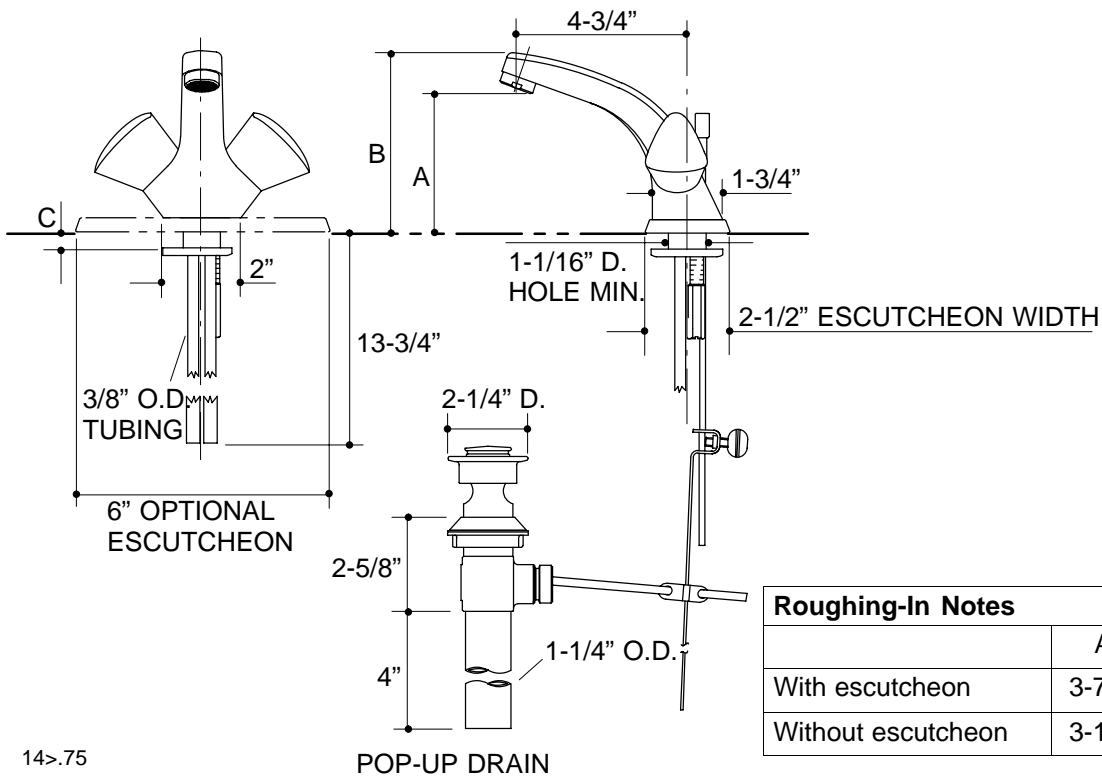
Model	Description	
K-14513-1	Provence Lavatory Faucet	<input type="checkbox"/> CP <input type="checkbox"/> PB <input type="checkbox"/> Other_____

<b>Optional Accessory</b>		
K-14531	6" Escutcheon Plate for 4" Centerset Installations	<input type="checkbox"/> CP <input type="checkbox"/> PB <input type="checkbox"/> Other_____

**PRODUCT SPECIFICATION:**

Two-handle lavatory faucet shall be of brass construction. Faucet shall feature brass valve bodies. Faucet shall feature quarter-turn washerless ceramic disc valves, assuring positive handle stop positioning. Product shall include single-hole mounting, 4-3/4" spout, pop-up drain with tailpiece, and euro handles. Faucet shall be Kohler Model K-14513-1-\_\_\_\_\_.

# PROVENCE™



14>.75

POP-UP DRAIN

## PRODUCT DIAGRAM