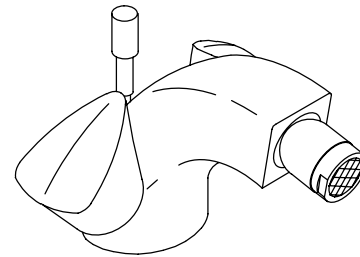


FEATURES

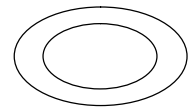
- Brass construction
- Single-hole mounting
- Brass valve bodies
- Quarter-turn washerless ceramic disc valves
- 4-1/4" swivel spray spout
- Pop-up drain with lift rod and tailpiece
- Euro handles
- Optional escutcheon plate is available for 4" centerset installations



CODES/STANDARDS APPLICABLE

Specified model meets or exceeds the following:

- ASME/ANSI A112.18.1M



COLORS/FINISHES

- CP Polished Chrome
- PB Polished Brass
- Other Refer to Faucets Price Book for additional finishes

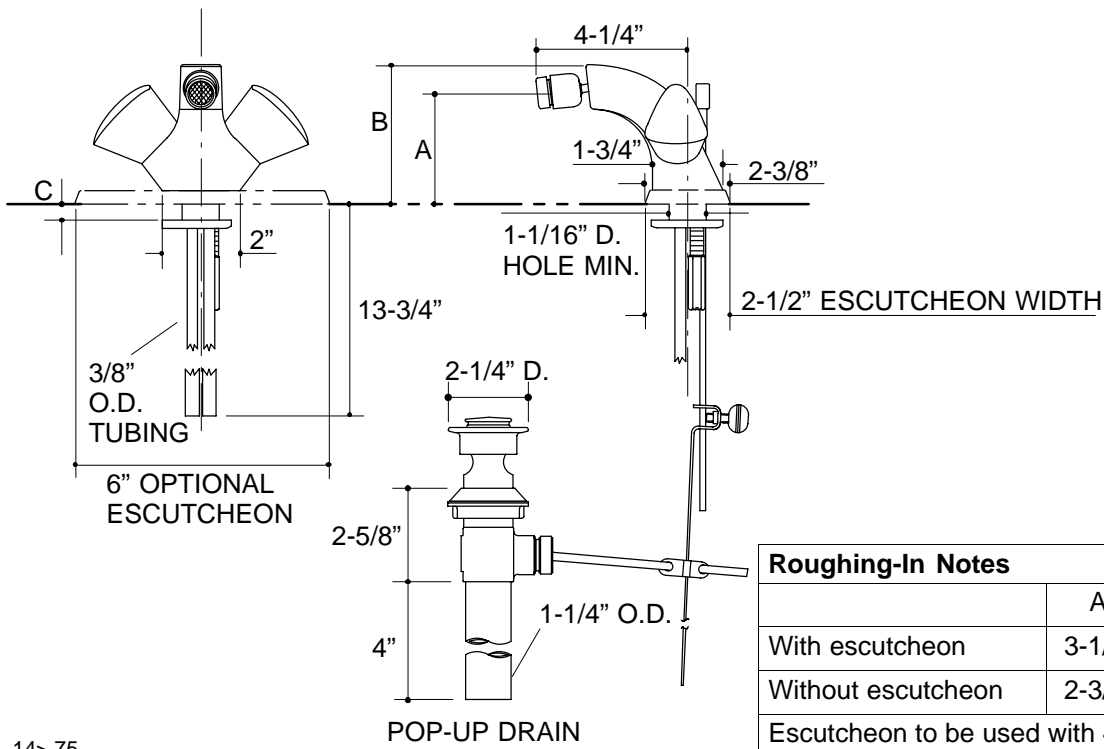
SPECIFIED MODEL:

Model	Description			
K-14533-1	Provence Bidet Faucet	<input type="checkbox"/> CP	<input type="checkbox"/> PB	<input type="checkbox"/> Other_____

Optional Accessory				
K-14531	6" Escutcheon Plate for 4" Centerset Installations	<input type="checkbox"/> CP	<input type="checkbox"/> PB	<input type="checkbox"/> Other_____

PRODUCT SPECIFICATION:

Two-handle bidet faucet shall be of brass construction. Faucet shall feature brass valve bodies. Faucet shall feature quarter-turn washerless ceramic disc valves, assuring positive handle stop positioning. Product shall include single-hole mounting, 4-1/4" swivel spray spout, pop-up drain with lift rod and tailpiece, and euro handles. Faucet shall be Kohler Model K-14533-1-_____.



Roughing-In Notes			
	A	B	C
With escutcheon	3-1/8"	3-7/8"	1-5/8" MAX.
Without escutcheon	2-3/4"	3-1/2"	2" MAX.
Escutcheon to be used with 4" hole centers only.			

14>.75

PRODUCT DIAGRAM