

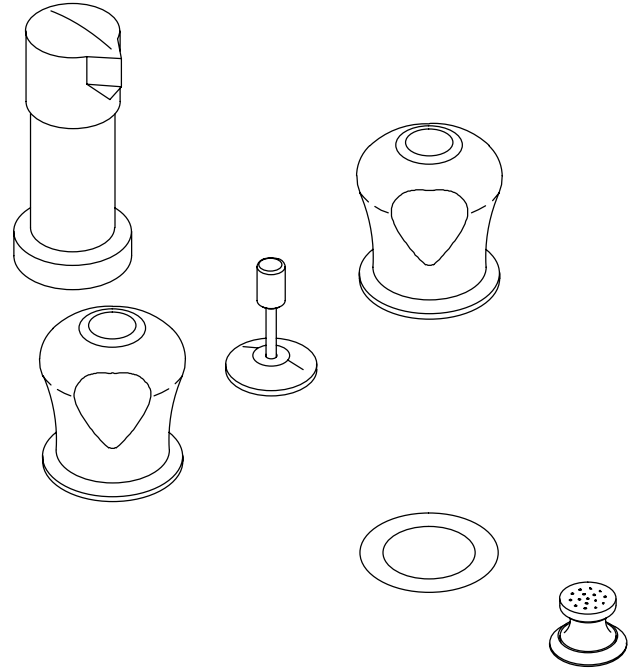
FEATURES

- Metal construction
- Flexible connections
- Reversible quarter-turn washerless ceramic disc valves
- Pop-up drain with lift rod and tailpiece
- Sculptured acrylic handles
- Vertical spray
- Fixture-mount transfer valve/vacuum breaker

CODES/STANDARDS APPLICABLE

Specified model meets or exceeds the following:

- ASME/ANSI A112.18.1M
- IAPMO/UPC



COLORS/FINISHES

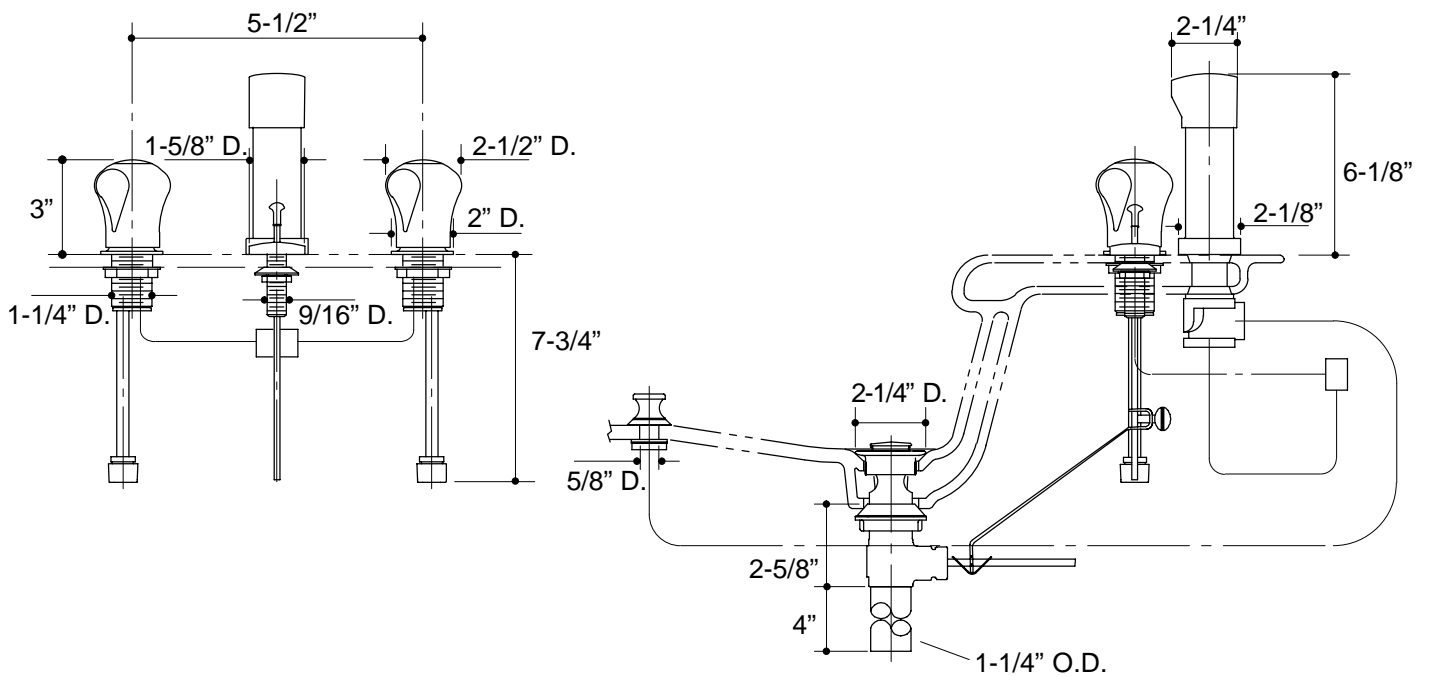
- CP Polished Chrome
- PB Polished Brass

SPECIFIED MODEL:

| Model | Description | | |
|---------|-----------------------|-----------------------------|-----------------------------|
| K-15286 | Coralais Bidet Faucet | <input type="checkbox"/> CP | <input type="checkbox"/> PB |

PRODUCT SPECIFICATION:

Two-handle fixture-mount bidet faucet shall be of metal construction. Faucet shall feature reversible quarter-turn washerless ceramic disc valves, assuring positive handle stop positioning. Product shall include flexible connections, pop-up drain with lift rod and tailpiece, sculptured acrylic handles, vertical spray, and fixture-mount transfer valve/vacuum breaker. Faucet shall be Kohler Model K-15286-_____.



1.25>18

PRODUCT DIAGRAM