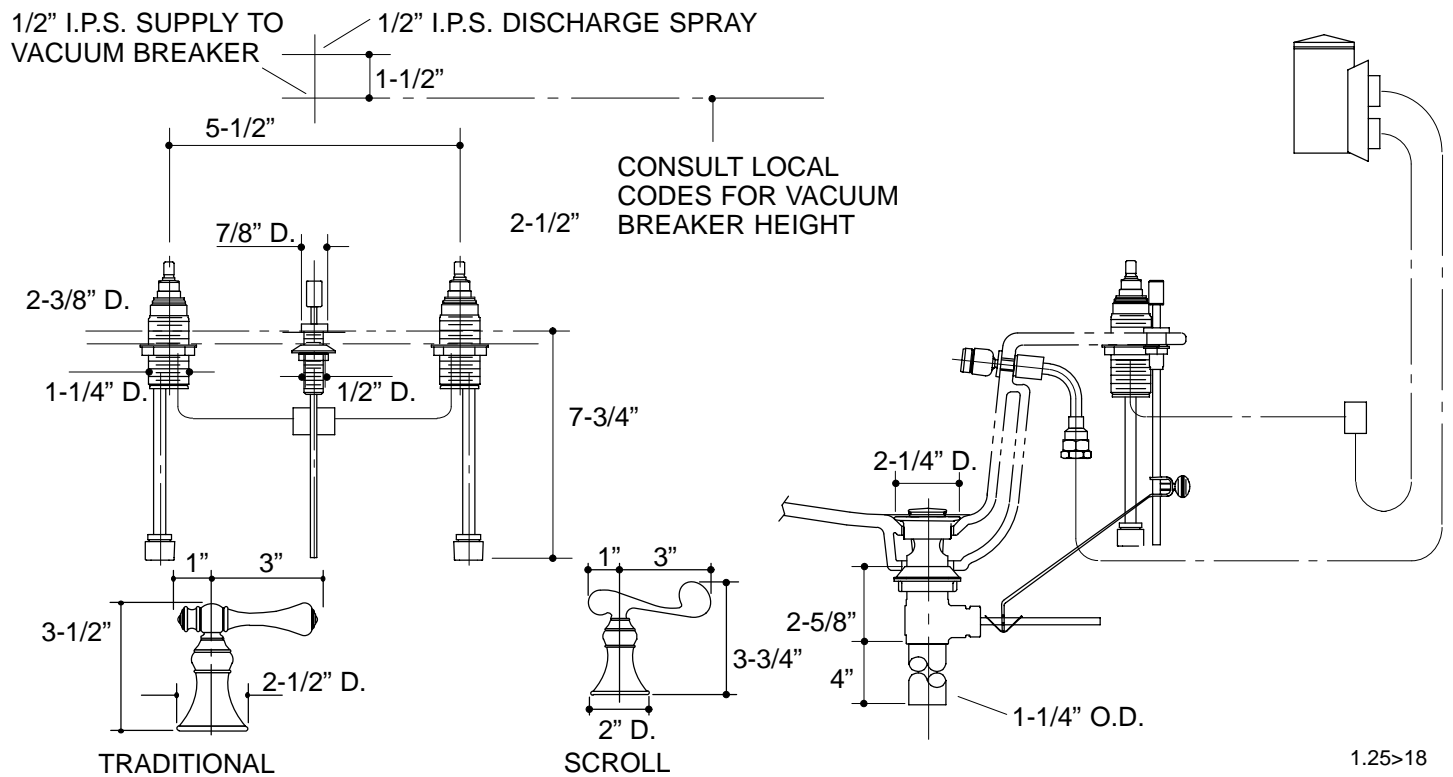


Ordering Information

Applicable bidet faucet:	
Scroll handles	K-16137-4
Traditional handles	K-16137-4A
ADA	Traditional and scroll lever handles are ADA compliant



K-16137 Revival™ Bidet Faucet
114608-1-BA (-)

KOHLER®

NOTES: