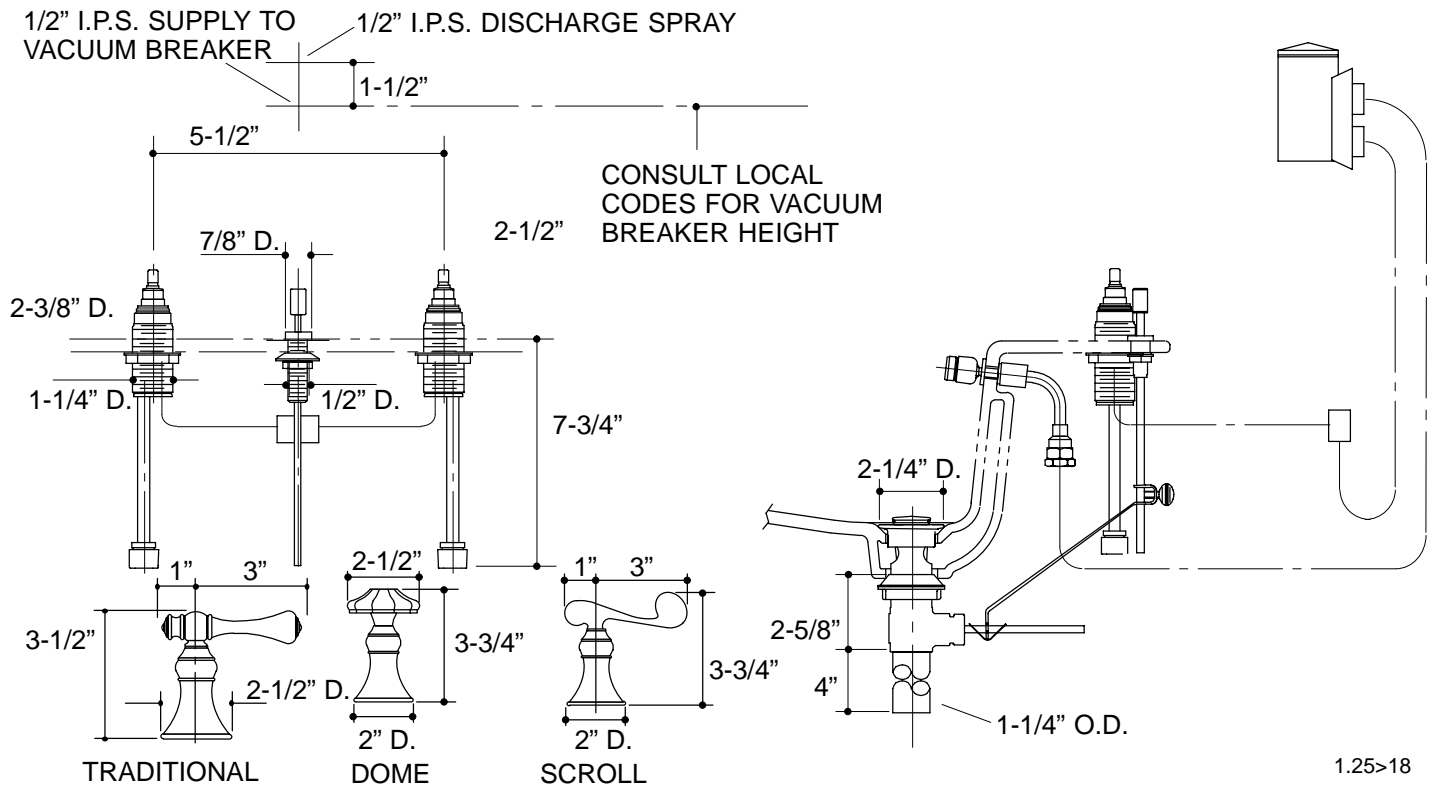


Ordering Information

Applicable bidet faucet:	
Scroll handles	K-16137-4
Traditional handles	K-16137-4A
Dome handles	K-16137-8
ADA Traditional and scroll lever handles are ADA compliant	



K-16137 Revival™ Bidet Faucet
114608-1-AA (9619)

NOTES: