

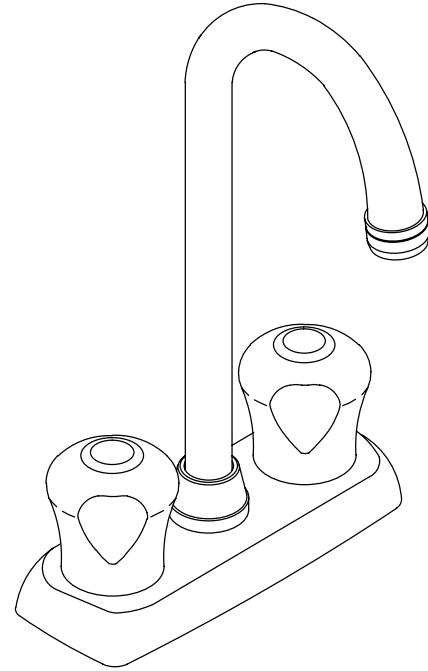
FEATURES

- Metal construction
- For 4" centers
- Reversible quarter-turn washerless ceramic disc valves
- 4" gooseneck spout
- 2.2 gallons per minute
- Sculptured acrylic handles
- Packaged six per case

CODES/STANDARDS APPLICABLE

Specified model meets or exceeds the following:

- ASME/ANSI A112.18.1M
- CSA B125
- Energy Policy Act of 1992
- IAPMO/UPC
- NSF 61



COLORS/FINISHES

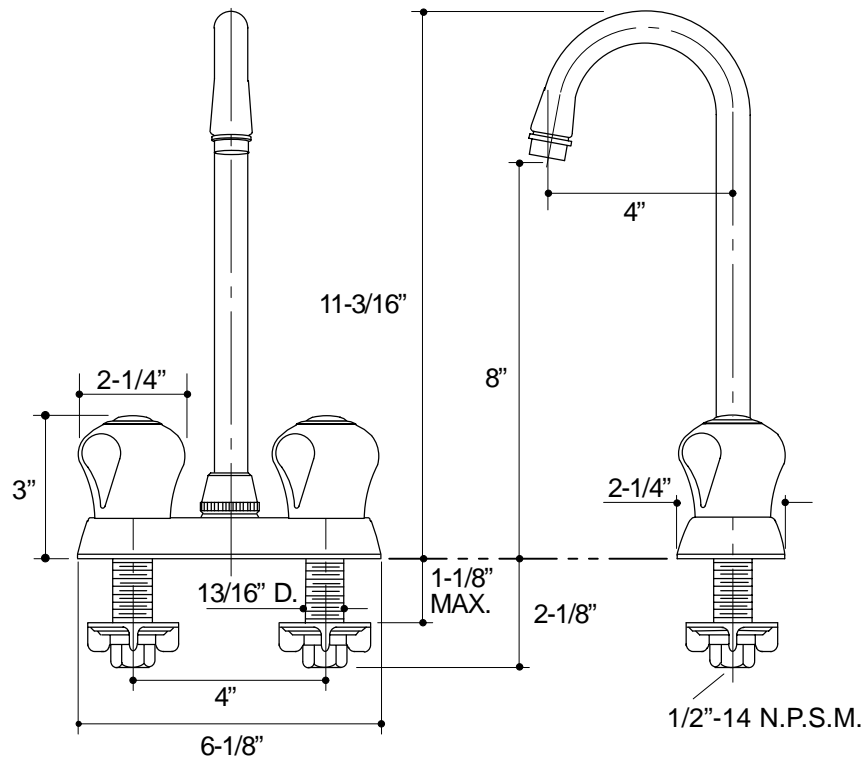
- CP Polished Chrome

SPECIFIED MODEL:

Model	Description	
K-P15275	Coralais Bar Sink Faucet	<input type="checkbox"/> CP

PRODUCT SPECIFICATION:

Two-handle centerset bar sink faucet shall be of metal construction. Faucet shall feature reversible quarter-turn washerless ceramic disc valves, assuring positive handle stop positioning. Product shall include 4" gooseneck spout, and sculptured acrylic handles. Faucet shall be Kohler Model K-P15275-CP. Project Pack faucets are packaged six per case.



14

PRODUCT DIAGRAM