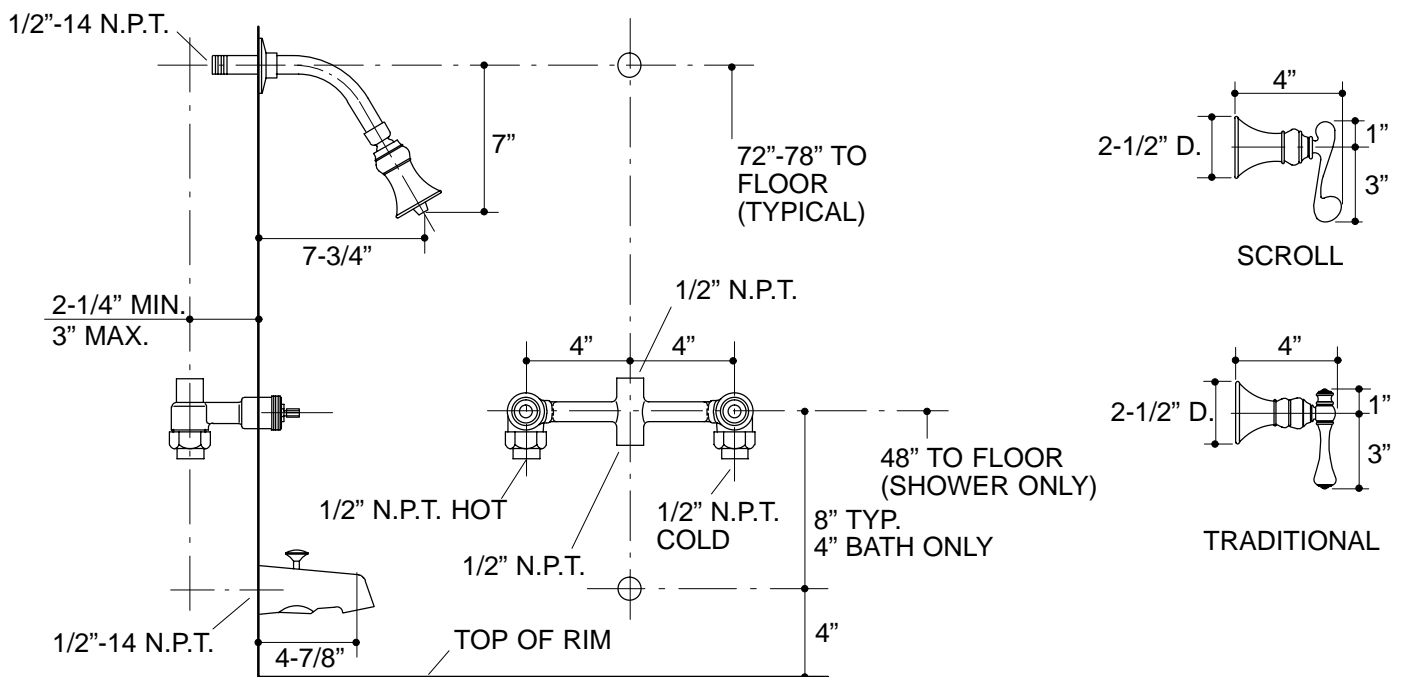


Ordering Information

Applicable faucet with Scroll lever handles:	
Bath and shower	K-16213-4
Shower	K-16214-4
Wall-mount bath valve	K-16217-4

Applicable faucet with Traditional lever handles:	
Bath and shower	K-16213-4A
Shower	K-16214-4A
Wall-mount bath valve	K-16217-4A
ADA Lever handle is ADA compliant	



14

K-16213, K-16214, K-16217 Revival™ Bath and Shower Faucet
114625-1-BA (A)

KOHLER[®]

NOTES: