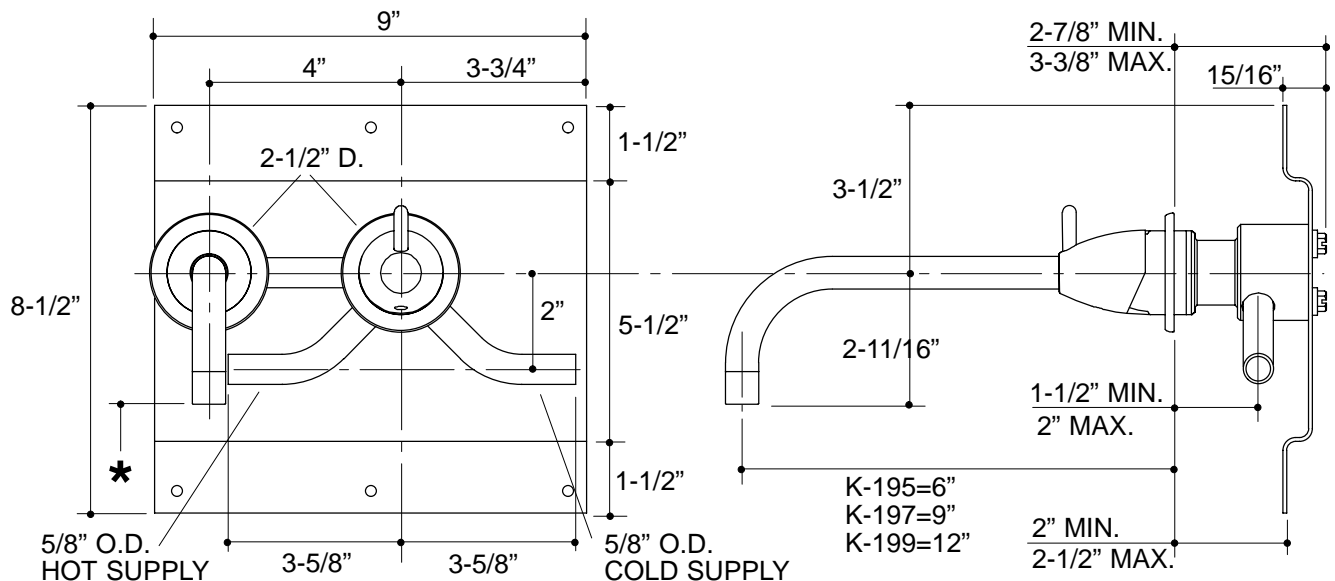


Ordering Information

Applicable faucet:	
With 6" spout	K-195
With 9" spout	K-197
With 12" spout	K-199
ADA Lever handle is ADA compliant	



Roughing-In Notes

*A recommended 4" must be maintained between bottom of spout and top of fixture rim.

Two 1-7/8" D. cut-out holes required for spout and handle.