

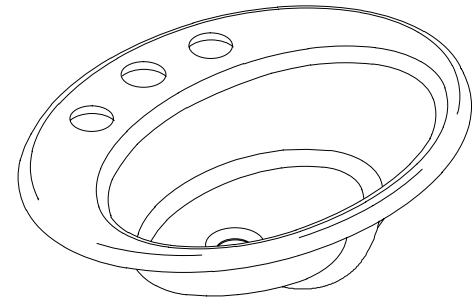
UNDERCOUNTER LAVATORY

K-2907-U

ADA

FEATURES

- 18-1/4" x 11"
- Cast iron
- Undercounter
- 4" centers (K-2907-4U) or 8" centers (K-2907-8U)
- ADA compliant
- Oversized faucet holes to accommodate single-hole centermount or centerset faucet (K-2907-4U)
- Oversized faucet holes to accommodate single-hole centermount or widespread faucet (K-2907-8U)



CODES/STANDARDS APPLICABLE

Specified model meets or exceeds the following:

- ADA
- ASME/ANSI A112.19.1M
- CABO/ANSI A117.1
- IAPMO/UPC
- Canadian Standards Association (CSA)
- State of Massachusetts

COLORS/FINISHES

- 0 White
- Other Refer to Fixtures Price Book for additional colors

Accessories:

- CP Polished Chrome
- Other Refer to Faucets Price Book for additional finishes

SPECIFIED MODEL:

Model	Description	Colors/Finishes	
K-2907-8U	8" centers lavatory	<input type="checkbox"/> 0 White	<input type="checkbox"/> Other_____
K-2907-4U	4" centers lavatory	<input type="checkbox"/> 0 White	<input type="checkbox"/> Other_____

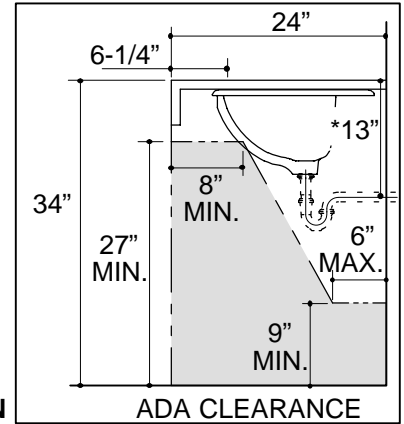
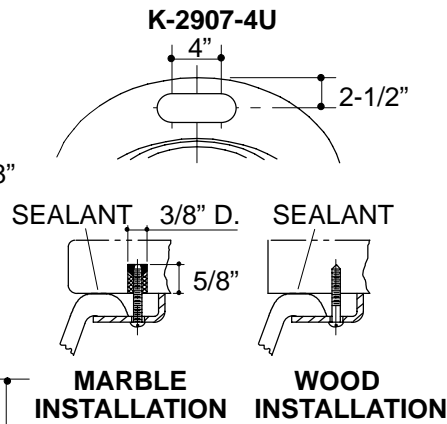
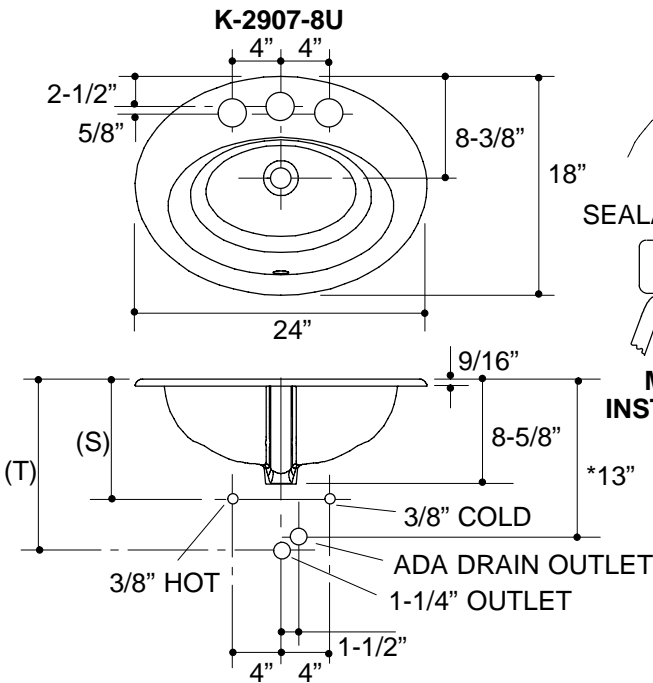
Recommended Accessories			
K-8998	Trap	<input type="checkbox"/> CP	<input type="checkbox"/> Other_____

PRODUCT SPECIFICATION:

The undercounter lavatory shall be 18-1/4" in length, and 11" in width. Lavatory shall be made of cast iron. Lavatory shall have 4" centers (K-2907-4U) or 8" centers (K-2907-8U). Lavatory shall be ADA compliant. Lavatory shall have oversized faucet holes to accommodate single-hole centermount, centerset or widespread faucet. Lavatory shall be Kohler Model K-2907-_____-_____.

PRODUCT INFORMATION

ADA compliant.			
Fixture*:		basin area	water depth
Lavatory		18-1/4" x 11"	4-3/4"
Outlet	1-11/16" D.		
* Approximate measurements for comparison only.			
Included Components:			
Basin clamp assembly		52047	
Overflow ferrule		44071	
Cutout template		114635-7	



Roughing-In Notes		
*Based on K-8998 with 1" of tailpiece exposed.		
(T) Pop-up drain 14-1/4", grid drain 13-3/8"		
Supply (Based on 12" riser which may require cutting).	K-2907-4U	K-2907-8U
(S)	10"	14"
Faucet holes in fixture are oversized at 2-3/8" D. Drill fitting holes in counter according to fitting rough-in.		

PRODUCT DIAGRAM