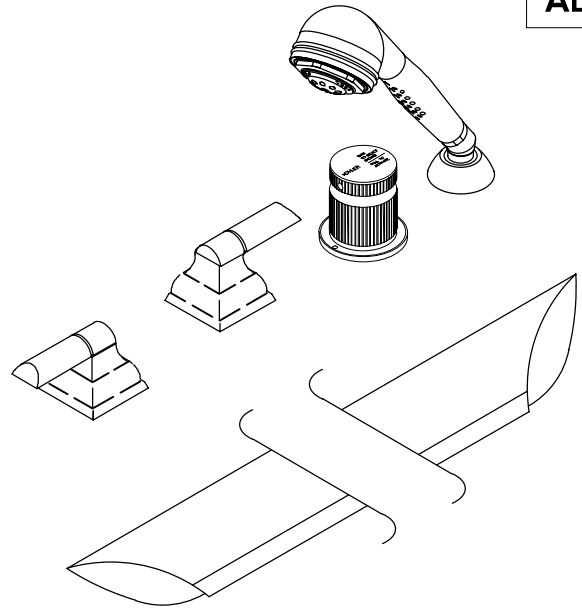


**SEAWALL BATH FAUCET  
K-6435-4B**

**FEATURES**

- Brass construction
- Deck-mount
- Brass valve bodies
- 3/4" quarter-turn washerless ceramic disc valves
- For Seawall bath and whirlpool installations
- Below-the-rim Seawall spout
- Neuville lever handles
- MasterShower™ three-way handshower
- Three-way diverter valve/vacuum breaker
- Wall-mount vacuum breaker

ADA



**CODES/STANDARDS APPLICABLE**

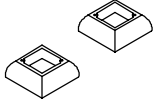
Specified model meets or exceeds the following:

- ASME/ANSI A112.18.1M
- ASSE 1001
- ASSE 1014

**COLORS/FINISHES**

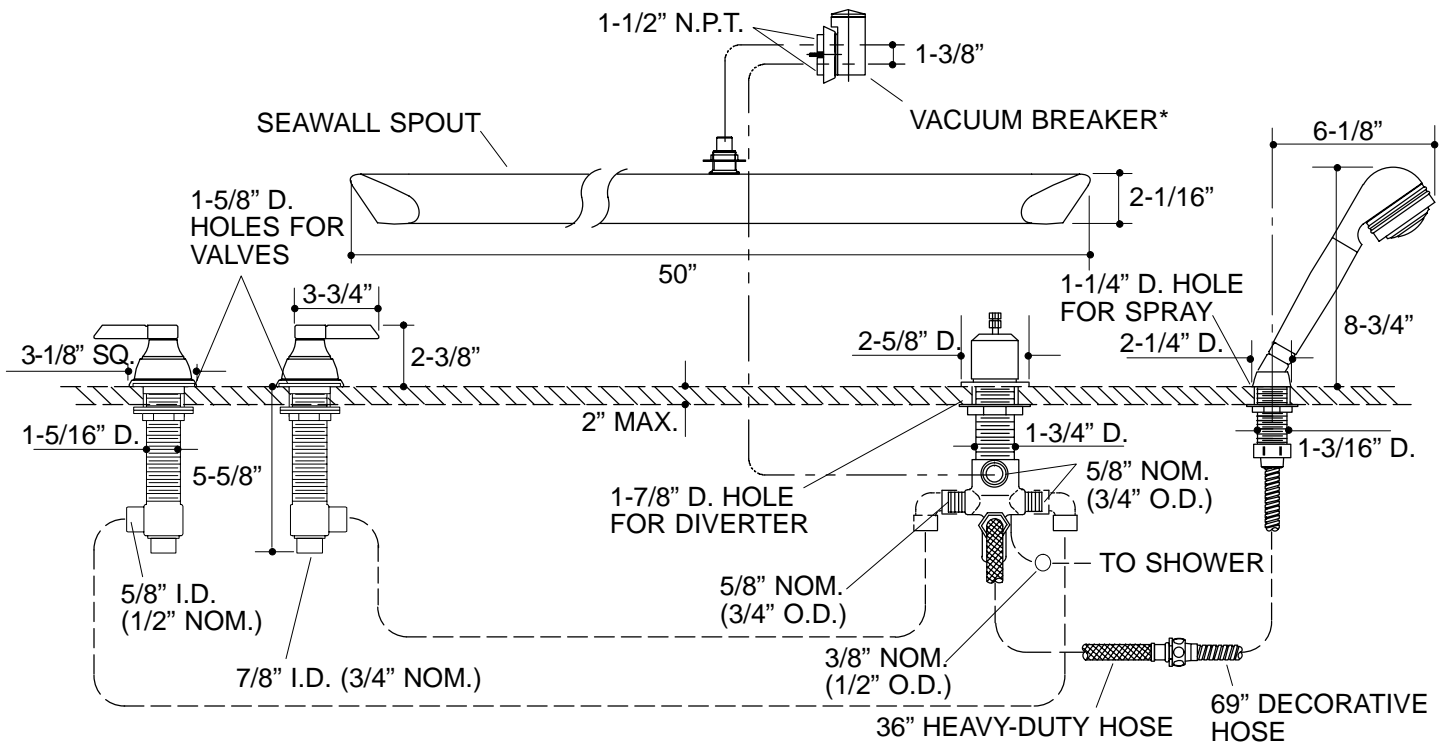
- CP Polished Chrome
- PB Polished Brass

**SPECIFIED MODEL:** For complete faucet, both faucet and decorative inserts must be specified.

Model	Description		
K-6435-4B	Seawall Deck-Mount Bath Faucet with Personal Handshower	<input type="checkbox"/> CP	<input type="checkbox"/> PB
<b>Required Accessory</b>			
K-17212	Decorative Inserts, Pair	<input type="checkbox"/> CP	<input type="checkbox"/> PB <input type="checkbox"/> Other_____

**PRODUCT SPECIFICATION:**

Two handle deck-mount faucet shall be of brass construction. Product is intended for Seawall bath and whirlpool installations. Faucet shall feature brass valve bodies. Faucet shall feature 3/4" quarter-turn washerless ceramic disc valves, assuring positive handle stop positioning. Faucet shall include below-the-rim Seawall spout, Neuville lever handles, MasterShower three-way handshower, three-way diverter valve/vacuum breaker, and wall-mount vacuum breaker. Faucet shall be Kohler Model K-6435-4B-\_\_\_\_\_.



18 \*CONSULT LOCAL PLUMBING CODES FOR VACUUM BREAKER HEIGHT

**PRODUCT DIAGRAM**