

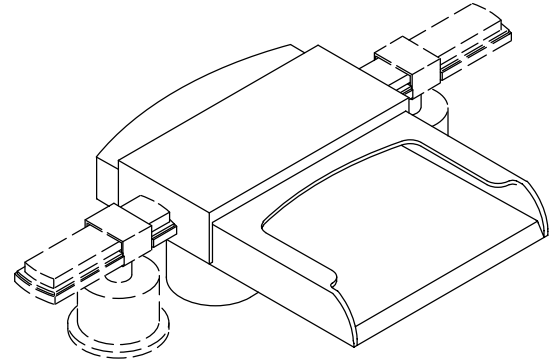
**FEATURES**

- Brass construction
- Bath-mount
- Brass valve bodies
- 3/4" quarter-turn washerless ceramic disc valves
- High-flow valving
- 6-1/2" Flume™ non-diverter spout with slip-fit connection
- Available with square or lever handles
- Includes matching brushed metal handle insets

**CODES/STANDARDS APPLICABLE**

Specified model meets or exceeds the following:

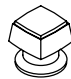
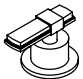
- ASME/ANSI A112.18.1M
- CSA B125





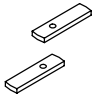
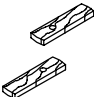


**COLORS/FINISHES**

- CP Polished Chrome
- PB Polished Brass

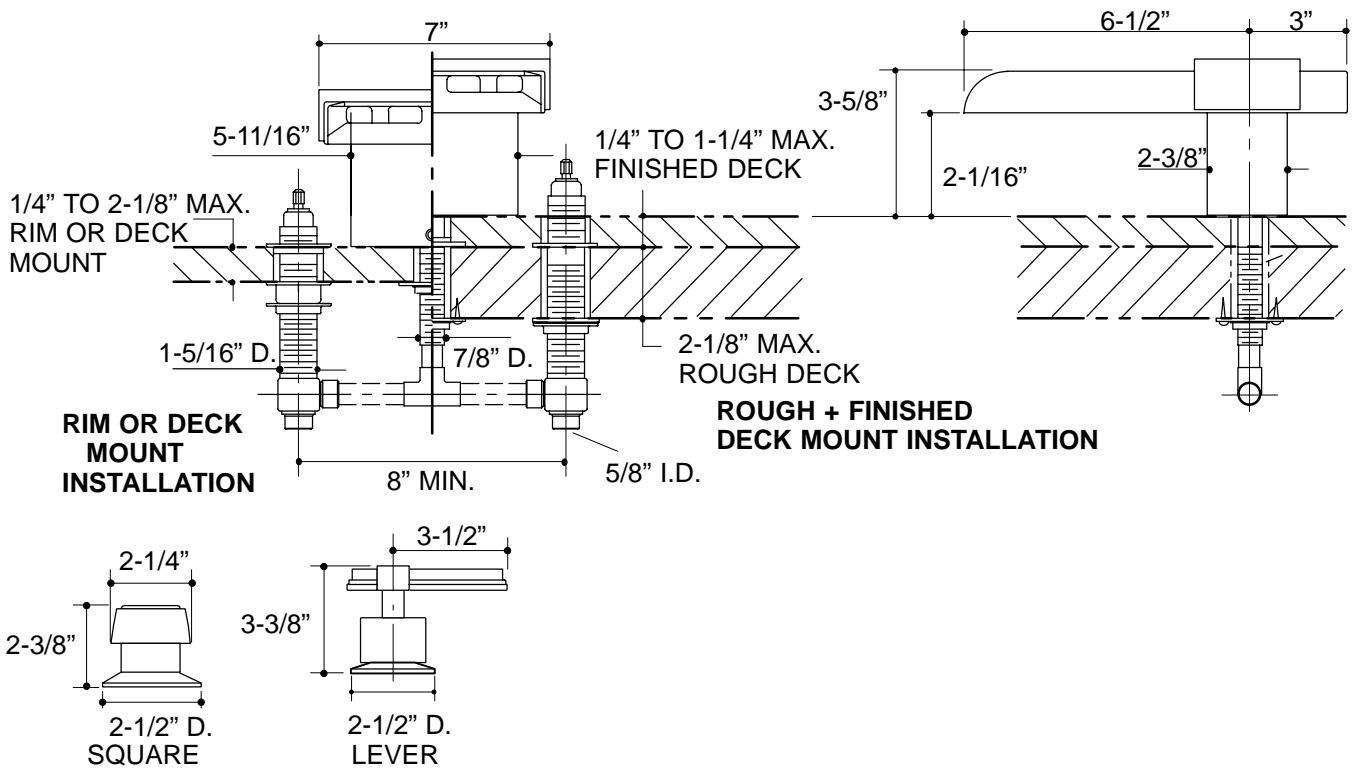
**SPECIFIED MODEL:**

Model	Description		 ADA
K-6505-2	With Square Handles	<input type="checkbox"/> CP <input type="checkbox"/> PB	
K-6505-4	With Lever Handles		<input type="checkbox"/> CP <input type="checkbox"/> PB

Optional Accessories					
	K-9917	Large Handle Stone Inset, Single			<input type="checkbox"/> Other_____
	K-9923	Large Handle Metal Inset, Single	<input type="checkbox"/> CP	<input type="checkbox"/> PB	<input type="checkbox"/> Other_____
	K-9926	Large Handle Ceramic Inset, Single			<input type="checkbox"/> Other_____
	K-9932	Large Handle Champleve Inset, Single			<input type="checkbox"/> Other_____
	K-9970	Large Lever Metal Inset, Pair	<input type="checkbox"/> CP	<input type="checkbox"/> PB	<input type="checkbox"/> Other_____
	K-9984	Large Lever Stone Inset, Pair			<input type="checkbox"/> Other_____

**PRODUCT SPECIFICATION:**

Two-handle bath-mount high-flow bath faucet shall be of brass construction. Faucet shall feature brass valve bodies. Faucet shall feature 3/4" quarter-turn washerless ceramic disc valves, assuring positive handle stop positioning. High-flow valving allows water to flow 25-30 gpm at 45 psi. Product shall include 6-1/2" Flume non-diverter spout with slip-fit connection, and square or lever handles with matching brushed metal insets. Faucet shall be Kohler Model K-6505-\_\_\_\_\_-\_\_\_\_\_.



316

## PRODUCT DIAGRAM