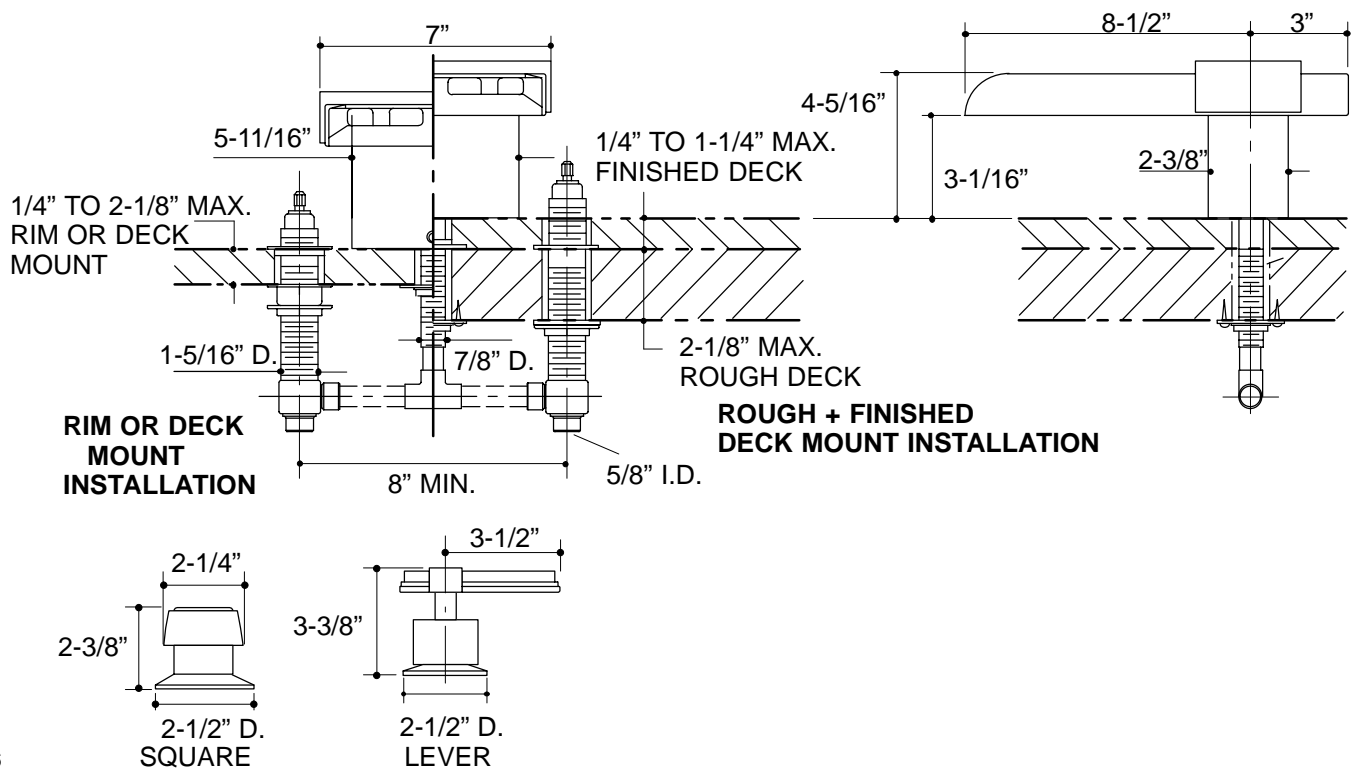


## Ordering Information

Applicable faucet:	
Square handles	K-6506-2
Lever handles	K-6506-4
<b>ADA</b> Lever handles are ADA compliant	



316

**K-6506** Alterna™ Bath Faucet  
114654-1-AA (9619)

**NOTES:**