

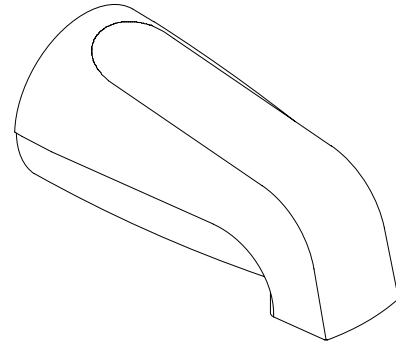
FEATURES

- Metal construction
- Available with 4-5/8" non-diverter spout with N.P.T. or slip-fit connection

CODES/STANDARDS APPLICABLE

Specified model meets or exceeds the following:

- ASME/ANSI A112.18.1M



COLORS/FINISHES

- CP Polished Chrome
- PB Polished Brass

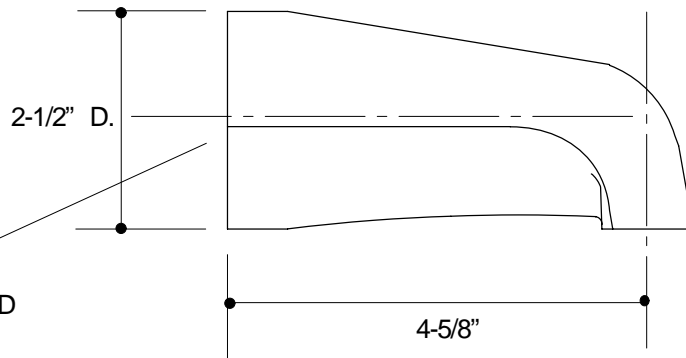
SPECIFIED MODEL:

Model	Description		
K-15135	With N.P.T. Non-Diverter Bath Spout	<input type="checkbox"/> CP	<input type="checkbox"/> PB
K-15135-S	With Slip-Fit Non-Diverter Bath Spout	<input type="checkbox"/> CP	<input type="checkbox"/> PB

PRODUCT SPECIFICATION:

Product shall be a wall-mount 4-5/8" non-diverter bath spout and shall be of metal construction. Spout shall be available with N.P.T. or slip-fit connection. Spout shall be Kohler Model K-15135-_____-_____.

1/2" N.P.T. PIPE OR 5/8" O.D. TUBING.
FOR SLIP-FIT SPOUT, TUBING MUST
EXTEND 1-1/2" MIN.; 2-7/8" MAX. BEYOND
FINISHED WALL.
FOR 1/2" N.P.T. SPOUT, PIPE MUST EXTEND
3-7/8" BEYOND FINISHED WALL.



PRODUCT DIAGRAM