

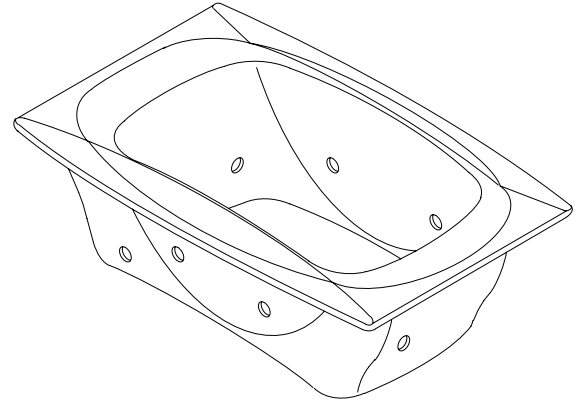
FEATURES

- 66" x 42" x 22-5/8"
- Acrylic
- System I - 3/4 hp pump with air switch actuator
- 6 factory-installed color-matched plastic Flexjets
- UL Listed
- Pump is supplied with a grounding-type plug-in cord

CODES/STANDARDS APPLICABLE

Specified model meets or exceeds the following:

- ANSI Z124.1
- ASME/ANSI A112.19.7M
- IAPMO/UPC
- Underwriters Laboratories (UL)
- State of Massachusetts



COLORS/FINISHES

- 0 White
- Other Refer to Fixtures Price Book for additional colors

Accessories:

- CP Polished Chrome
- PB Polished Brass
- Other Refer to Faucets Price Book for additional finishes

SPECIFIED MODEL:

Model	Description	Colors/Finishes		
K-1263	Bath whirlpool	<input type="checkbox"/> 0 White	<input type="checkbox"/> Other_____	
Recommended Accessories				
K-7161-AF	Drain	<input type="checkbox"/> CP	<input type="checkbox"/> PB	<input type="checkbox"/> Other_____
Optional Accessories				
K-9696	Flexjet trim kit (metal finishes)	<input type="checkbox"/> CP	<input type="checkbox"/> PB	<input type="checkbox"/> Other_____

PRODUCT SPECIFICATION:

The bath whirlpool shall be 66" in length, 42" in width, and 22-5/8" in height. Bath whirlpool shall be made of acrylic. Bath whirlpool shall have 6 factory-installed color-matched plastic Flexjets. Bath whirlpool shall have System I, 3/4 hp pump with air switch actuator. Bath whirlpool shall be UL listed. Bath whirlpool pump shall be supplied with a grounding-type plug-in cord. Bath whirlpool shall be Kohler Model K-1263-_____.

FOLIO

REQUIRED ELECTRICAL SERVICE

Dedicated circuit required, protected with Class A Ground-Fault Circuit-Interrupter (GFCI):	
Pump/control	120 V., 15 A, 60 Hz

PRODUCT INFORMATION

Fixture*:	basin area	top area	weight
Bathing well	49" x 30"	62" x 33"	135 lbs.
	water depth	capacity	
To overflow	17"	110 gals.	

* Approximate measurements for comparison only.

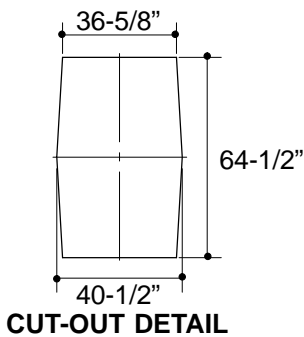
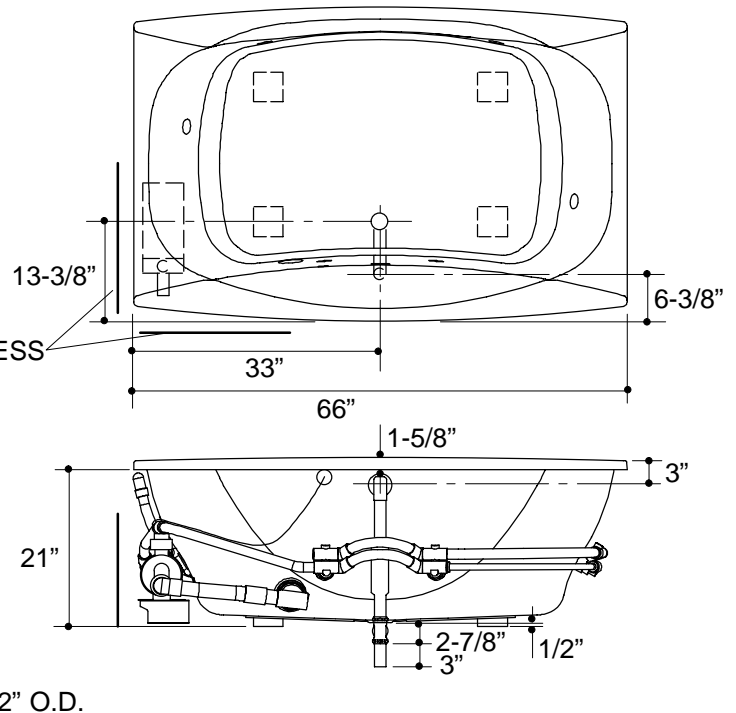
Pump:	HP	V	Hz	A
1-speed	3/4	120	60	10.5

INSTALLATION NOTES

If installing a rim-mount faucet, make sure there is no interference with drain overflow and circulating system before drilling any holes. Consult local and national codes for minimum air gap requirements if installing a spout on the faucet deck.

Each pump is supplied with a grounding type plug-in cord. Locate the outlet behind the whirlpool, and within 24" of the pump.

Roughing-In Notes		
No change in measurements if connected with drain illustrated.		
Minimum access:		
Pump/control	20" W x 15" H panel	required



1.25>132

PRODUCT DIAGRAM