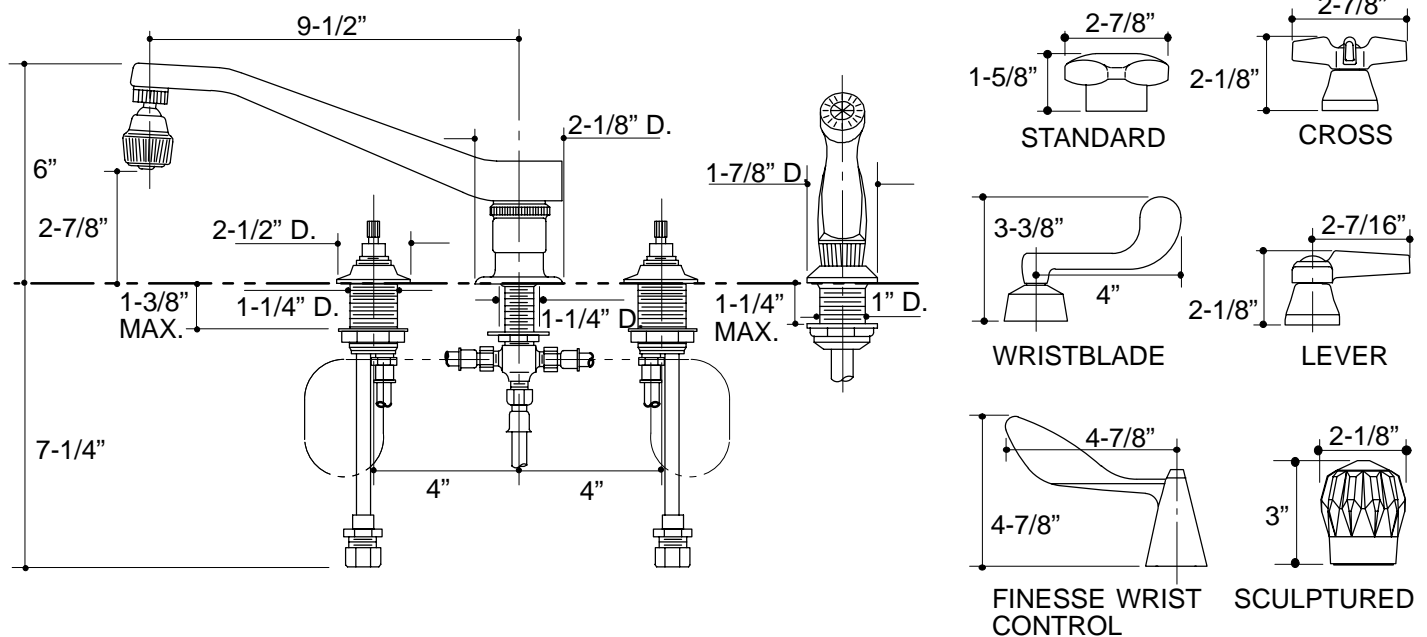


Ordering Information

Applicable faucet:	
Base faucet with spout and spray*	K-7771-K
Handles:	
Triton standard handles	K-16012-2
Triton cross handles	K-16012-3
Triton lever handles	K-16012-4
Triton wristblade lever handles	K-16012-5
Finesse wrist control lever handles	K-16022-5
Flair sculptured acrylic handles	K-16032-7
*Handles must be ordered to complete faucet.	
ADA	Lever and cross handles are ADA compliant



316

K-7771-K Triton™/Finesse™/Flair™ Acrylic Kitchen Sink Faucet
114705-1-CA (-)

KOHLER®

NOTES: