

**KITCHEN SINK BASE FAUCET
K-7771-K**

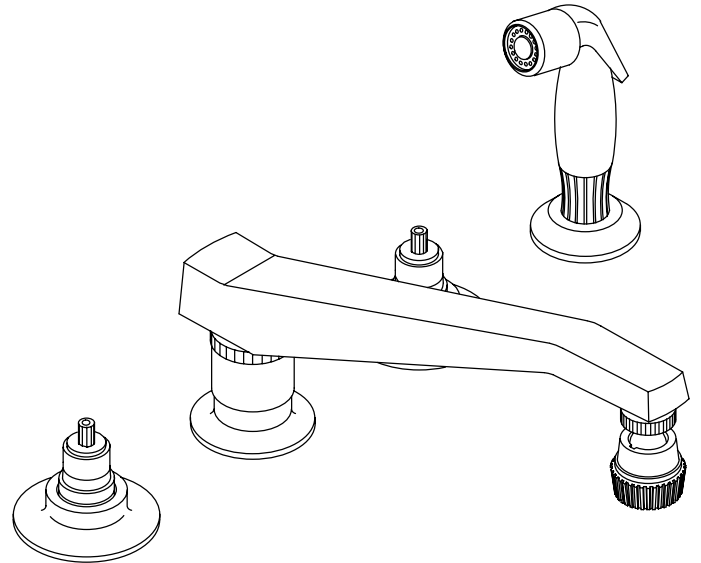
FEATURES

- Brass construction
- For 8" centers
- Brass valve bodies
- Quarter-turn washerless ceramic disc valves
- 9-1/2" swing spout
- 2.5 gallons per minute
- Variety of handle style options
- White Swinger™ sprayer/aerator
- White handspray

CODES/STANDARDS APPLICABLE

Specified model meets or exceeds the following:

- ASME/ANSI A112.18.1M
- California Energy Commission
- Canadian Standards Association (CSA)
- Energy Policy Act of 1992
- IAPMO/UPC
- NSF 14









COLORS/FINISHES

- CP Polished Chrome
- PB Polished Brass

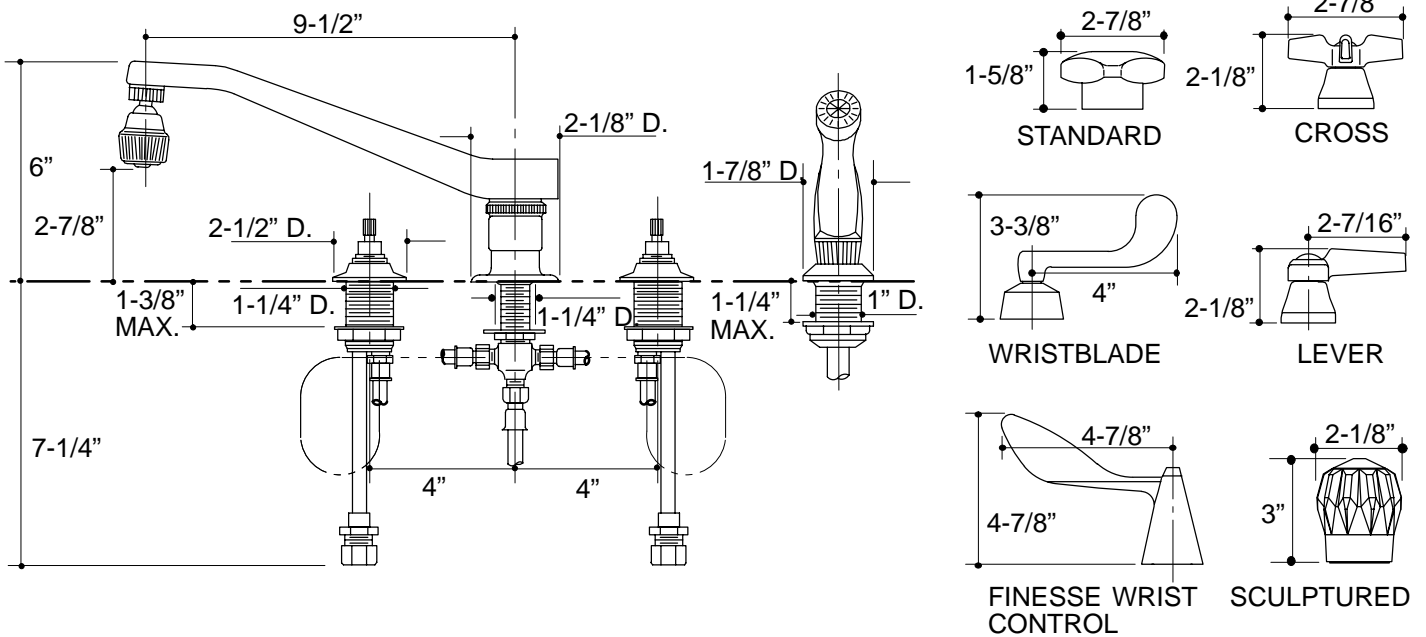
SPECIFIED MODEL:

BASE FAUCET: For complete faucet, both base faucet and handle choice must be specified.

Model	Description		
K-7771-K	Triton/Finesse/Flair Acrylic Kitchen Sink Base Faucet	<input type="checkbox"/> CP	<input type="checkbox"/> PB
Required Accessory (Includes Two Handles)	     		
K-16012-2	Triton Standard Handles	<input type="checkbox"/> CP	
K-16012-3	Triton Cross Handles		<input type="checkbox"/> CP
K-16012-4	Triton Lever Handles		<input type="checkbox"/> CP
K-16012-5	Triton Wristblade Lever Handles		<input type="checkbox"/> CP
K-16022-5	Finesse Wrist Control Lever Handles		<input type="checkbox"/> CP <input type="checkbox"/> PB
K-16032-7	Flair Sculptured Acrylic Handles		<input type="checkbox"/> CP <input type="checkbox"/> PB

PRODUCT SPECIFICATION:
Two-handle kitchen sink base faucet shall be of brass construction. Faucet shall feature brass valve bodies. Faucet shall feature quarter-turn washerless ceramic disc valves, assuring positive handle stop positioning. Product shall include 8" centers, 9-1/2" swing spout, white Swinger sprayer/aerator, and white handspray. Base faucet shall be Kohler Model K-7771-K-_____ and handles shall be K-_____-_____-_____.

TRITON™ /FINESSE™ /FLAIR™ ACRYLIC



316

PRODUCT DIAGRAM