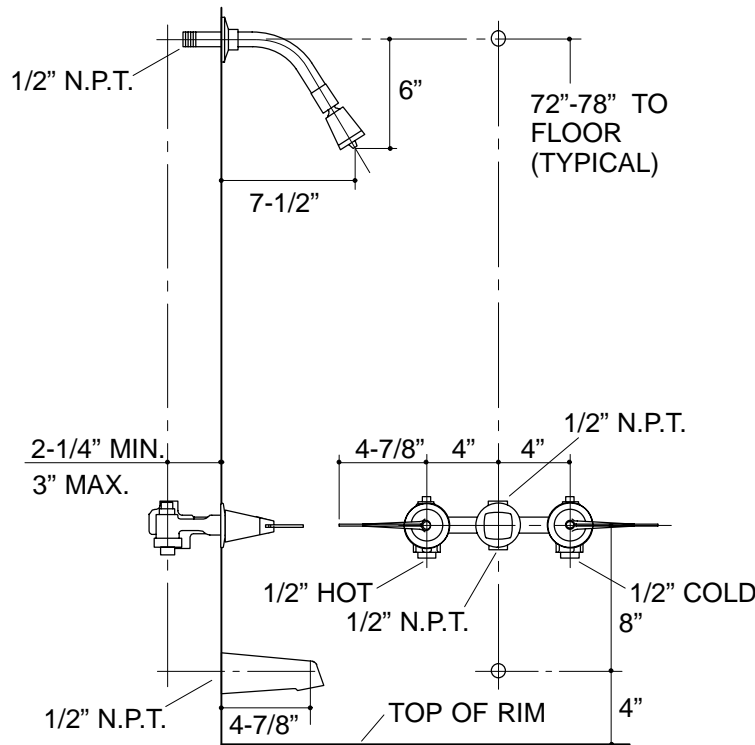


Ordering Information

Applicable faucet trim only:		
Bath and shower*	K-T13386-5	
Valve*	K-T13387-5	
*Valve K-303-K must be ordered to complete faucet.		
Applicable valve system only:		
1/2" valve system	K-303-K-NA	required**
ADA Lever handles are ADA compliant		
**Required for configuration illustrated.		



332

K-T13386-5, K-T13387-5, K-303-K Finesse™ Bath and Shower Faucet
114708-1-AA (9619)

NOTES: