

**VALVE SYSTEM  
K-302-K**

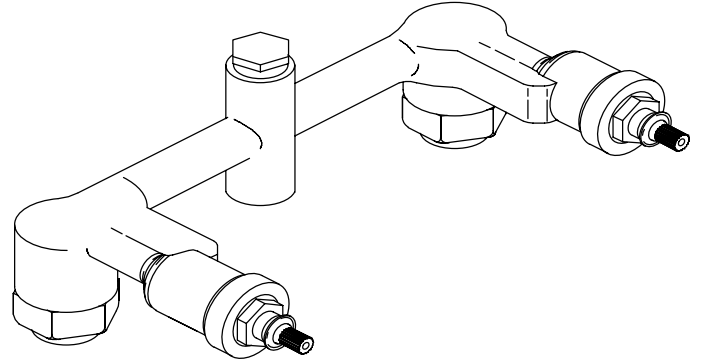
**FEATURES**

- *Wall-mount*
- *For 8" centers*
- *Brass valve bodies*
- *1/2" quarter-turn washerless ceramic disc valves*

**CODES/STANDARDS APPLICABLE**

Specified model meets or exceeds the following:

- *ASME/ANSI A112.18.1M*
- *CSA B125*
- *IAPMO/UPC*



**COLORS/FINISHES**

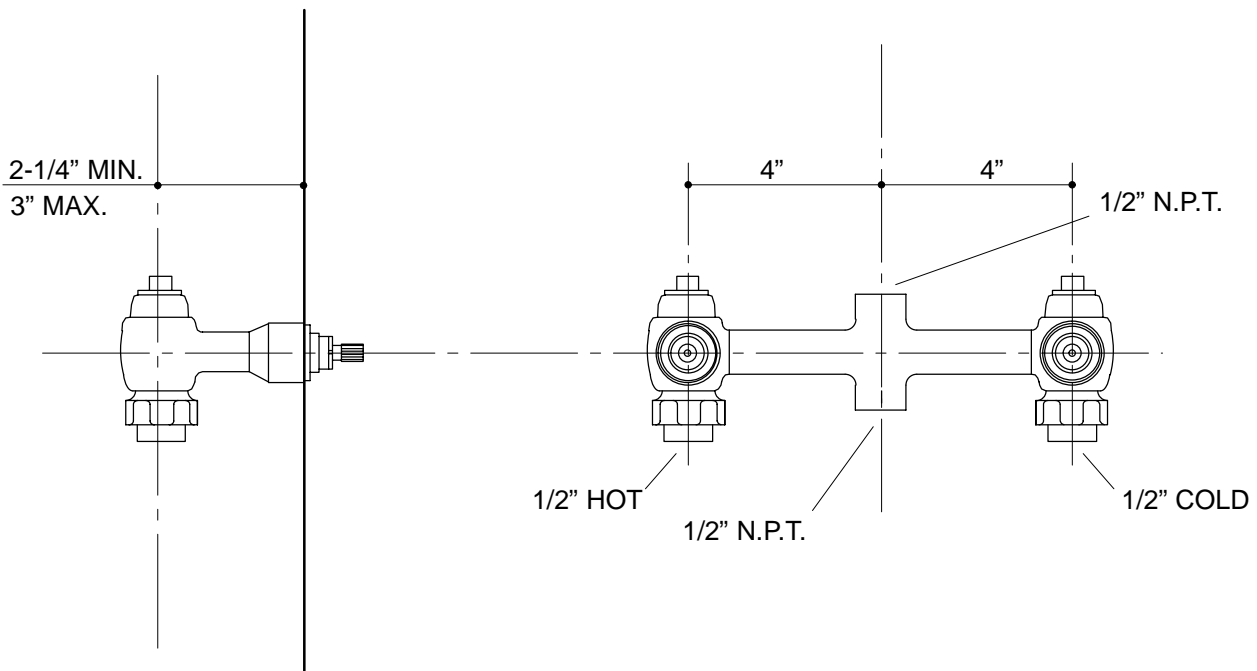
- NA Not applicable

**SPECIFIED MODEL:**

Model	Description	
K-302-K	2-Handle 1/2" Ceramic Disc Valve System	<input type="checkbox"/> NA

**PRODUCT SPECIFICATION:**

Two-handle wall-mount 1/2" valve system shall feature 8" centers, and brass valve bodies. Faucet shall feature 1/2" quarter-turn washerless ceramic disc valves, assuring positive handle stop positioning. Valve system shall be Kohler Model K-302-K-NA.



**PRODUCT DIAGRAM**