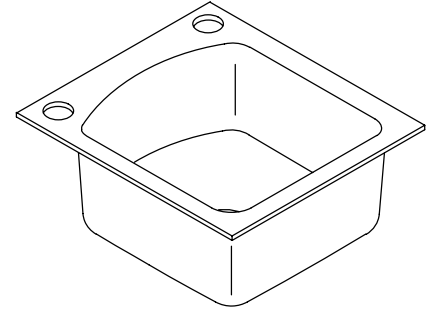


### UNDERCOUNTER ENTERTAINMENT SINK

# K-5848-2U

#### FEATURES

- 18-3/4" x 20-7/8"
- Cast iron
- Undercounter
- Single compartment
- 2-hole (oversized) drilling



#### CODES/STANDARDS APPLICABLE

Specified model meets or exceeds the following:

- ASME/ANSI A112.19.1M
- IAPMO/UPC
- Canadian Standards Association (CSA)

#### COLORS/FINISHES

- 0 White
- Other Refer to Fixtures Price Book for additional colors

#### Accessories:

- 0 White
- NA None Applicable
- Other Refer to Price Book for additional colors

#### SPECIFIED MODEL:

Model	Description	Colors/Finishes	
K-5848-2U	2-hole (oversized) sink	<input type="checkbox"/> 0 White	<input type="checkbox"/> Other_____
Optional Accessories			
K-3294	Hardwood cutting board	<input type="checkbox"/> NA	
K-6009	Wire rack	<input type="checkbox"/> 0 White	<input type="checkbox"/> Other_____

#### PRODUCT SPECIFICATION:

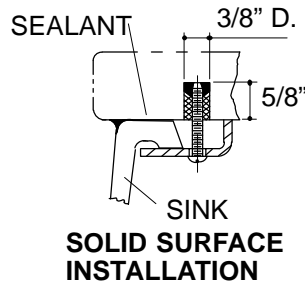
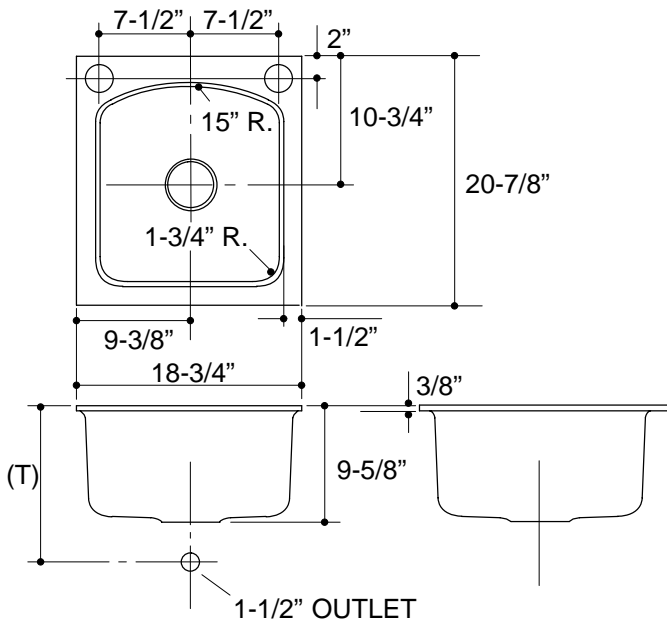
The undercounter entertainment sink shall be 18-3/4" in length, and 20-7/8" in width. Sink shall be made of cast iron. Sink shall be single compartment. Sink shall be 2-hole (oversized) drilled. Sink shall be Kohler Model K-5848-2U-\_\_\_\_\_.

# NAPA

## PRODUCT INFORMATION

Fixture*:		basin area	water depth
Sink		16" x 17"	9"
Outlet	3-7/8" D.		
Faucet hole	2-3/8" D.		
* Approximate measurements for comparison only.			
Included Components:			
Cutout template		114713-7	

**K-5848-2U**



### Roughing-In Notes

(T) Drain typically 13-1/2".

Supplied basin clamp assemblies require 1" minimum countertop thickness. Installer must supply hardware for thinner countertops.

For multiple bowl undercounter installations, a minimum distance of 3-3/8" is required between bowls. Countertop supplier to determine required support.

## PRODUCT DIAGRAM