

## Ordering Information

Applicable lavatory:		
8" centers	K-2260-8	shown
Single-hole	K-2260-1	not shown

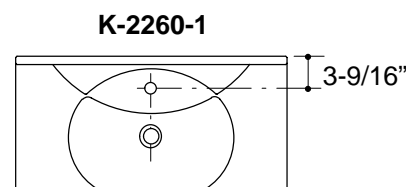
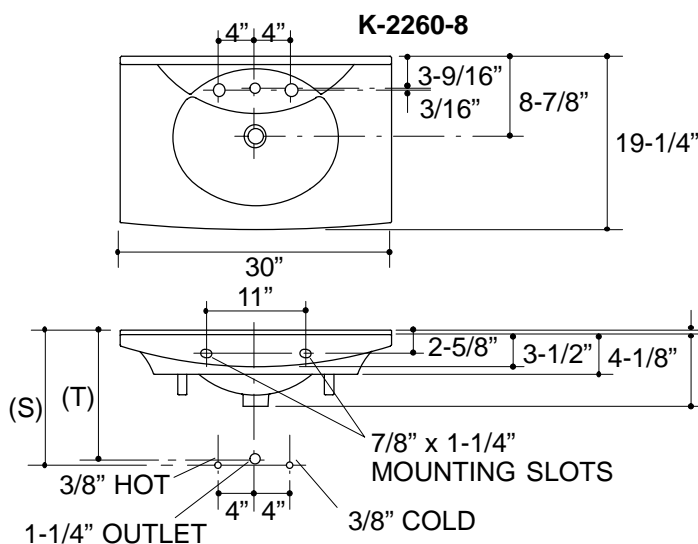
## Product Information

Fixture*:		basin area	water depth
Lavatory		18" x 11"	6"
Outlet	1-3/4" D.		
* Approximate measurements for comparison only.			
Holes	<b>K-2260-1</b>	<b>K-2260-8</b>	
Spout	1-3/8" D.	1-3/16" D.	
Faucet		1-3/8" D.	

Included Components:	
Adhesive sealant	63034
Accessory pack	84518-FJ
Cutout template	114810-7

## Installation Notes

Refer to installation instructions included with fixture before beginning installation.



Roughing-In Notes		
Fixture dimensions are nominal and conform to tolerances in ASME Standard A112.19.9M.		
(T) Pop-up drain 13-5/8".		
Supply (Based on 12" riser which may require cutting.)	K-2260-1	K-2260-8
(S)	10"	14"

.75<116