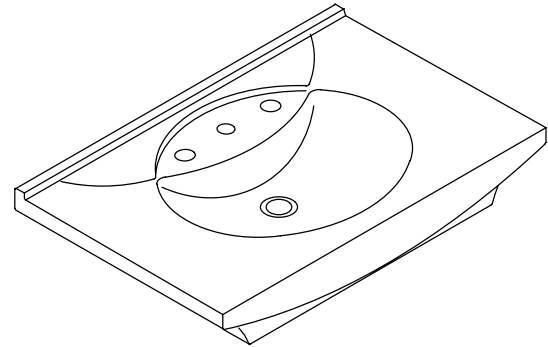


FEATURES

- 30" x 19-1/4"
- Fireclay
- 8" centers (K-2260-8) or single-hole (K-2260-1) drilling
- With overflow
- With sealant



CODES/STANDARDS APPLICABLE

Specified model meets or exceeds the following:

- ASME/ANSI A112.19.9M
- IAPMO/UPC
- State of Massachusetts

COLORS/FINISHES

- 0 White
- Other Refer to Fixtures Price Book for additional colors

SPECIFIED MODEL:

Model	Description	Colors/Finishes	
K-2260-8	8" centers lavatory	<input type="checkbox"/> 0 White	<input type="checkbox"/> Other_____
K-2260-1	Single-hole lavatory	<input type="checkbox"/> 0 White	<input type="checkbox"/> Other_____

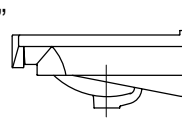
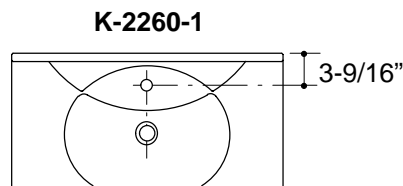
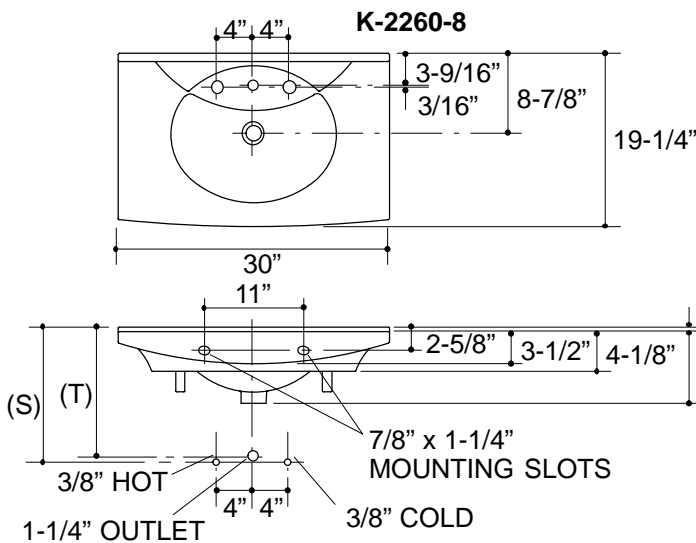
PRODUCT SPECIFICATION:

The vanity top lavatory shall be 30" in length, and 19-1/4" in width. Lavatory shall be made of fireclay. Lavatory shall have 8" centers (K-2260-8), or single-hole (K-2260-1) drilled. Lavatory shall have overflow. Lavatory shall include sealant. Lavatory shall be Kohler Model K-2260-_____-_____.

FOLIO

PRODUCT INFORMATION

Fixture*:		basin area	water depth
Lavatory		18" x 11"	6"
Outlet	1-3/4" D.		
* Approximate measurements for comparison only.			
Holes	K-2260-1	K-2260-8	
Spout	1-3/8" D.	1-3/16" D.	
Faucet		1-3/8" D.	
Included Components:			
Adhesive sealant		63034	
Accessory pack		84518-FJ	
Cutout template		114810-7	



Roughing-In Notes		
(T) Pop-up drain 13-5/8".		
Supply (Based on 12" riser which may require cutting.)	K-2260-1	K-2260-8
(S)	10"	14"

.75<116

PRODUCT DIAGRAM