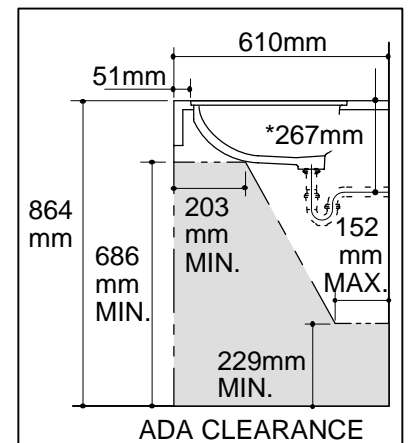
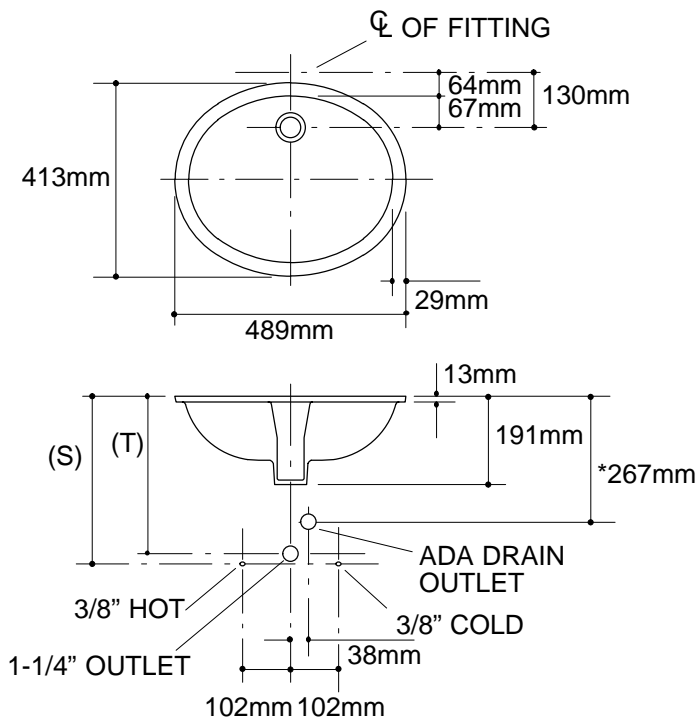


**Ordering Information**

Accessories/hardware:		
Metal frame	K-6686	recommended
Trap	K-8998	recommended

**Product Information**

ADA compliant.			
Fixture*:		basin area	water depth
Lavatory		432 x 356mm	102mm
Outlet	Ø44mm		
* Approximate measurements for comparison only.			



**Roughing-In Notes**

Fixture dimensions are nominal and conform to tolerances in ASME Standard A112.19.2M.

\*Based on K-8998 with 25mm of tailpiece exposed.

(T) Pop-up drain 333mm, grid drain 311mm.

(S) 356mm (Based on 305mm riser which may require cutting).

Cutout	metal frame required.
--------	-----------------------