

Ordering Information

Applicable product:		
Right outlet (Polished Chrome)	K-1052-CP	shown
Right outlet (Polished Brass)	K-1052-PB	shown
Left outlet (Polished Chrome)	K-1053-CP	not shown
Left outlet (Polished Brass)	K-1053-PB	not shown
Accessories/hardware:		
Jet trim kit	K-9696	required
Drain	K-7161-AF	recommended
Shower enclosure	K-9846-L	required
Coralais BodySpa Rite-Temp faucet	K-1097	recommended
Coralais two-handle faucet	K-1096	
Removable seat	K-9529	required

Requirements Electrical Service

Dedicated circuit required, protected with Class A Ground-Fault Circuit-Interrupter (GFCI):	
Pump/control	120 V., 20 A, 60 Hz

Product Information

Fixture*:	basin area	top area	weight	
Bathing well	45" x 21"	52" x 26"	275 lbs.	
	water depth	capacity		
To overflow	11-1/2"	48-1/2 gal.**		
* Approximate measurements for comparison only.				
**29 gallon minimum required for BodySpa operation; 44 gallon minimum required for whirlpool operation.				
Pump:	HP	V	Hz	A
2-speed	1	120	60	16.5

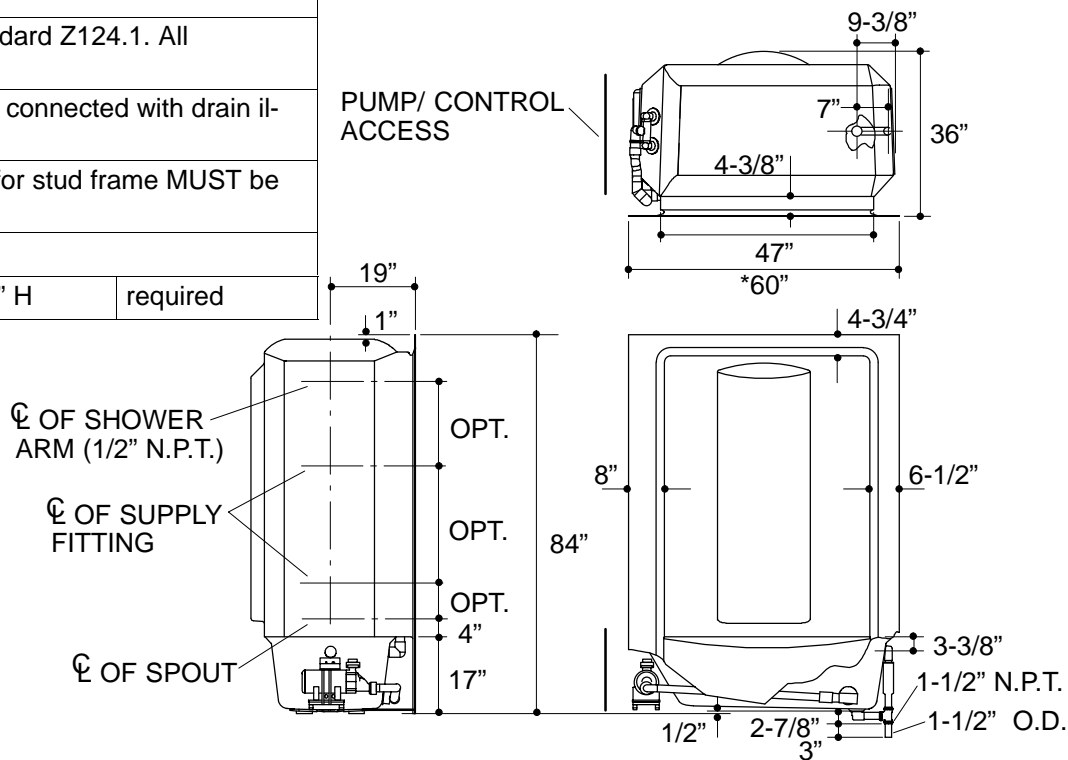
Installation Notes

Refer to installation instructions included with fixture before beginning installation.

Unit is not drilled for supply fittings.

Each pump is supplied with a grounding type plug-in cord. Locate the outlet behind the whirlpool, and within 24" of the pump.

Roughing-In Notes		
Fixture conforms to ANSI Standard Z124.1. All dimensions are nominal.		
No change in measurements if connected with drain illustrated.		
*Unit width is 60", roughing-in for stud frame MUST be 60-1/2".		
Minimum access panel:		
Pump/control	22" W x 22" H	required



.75<132