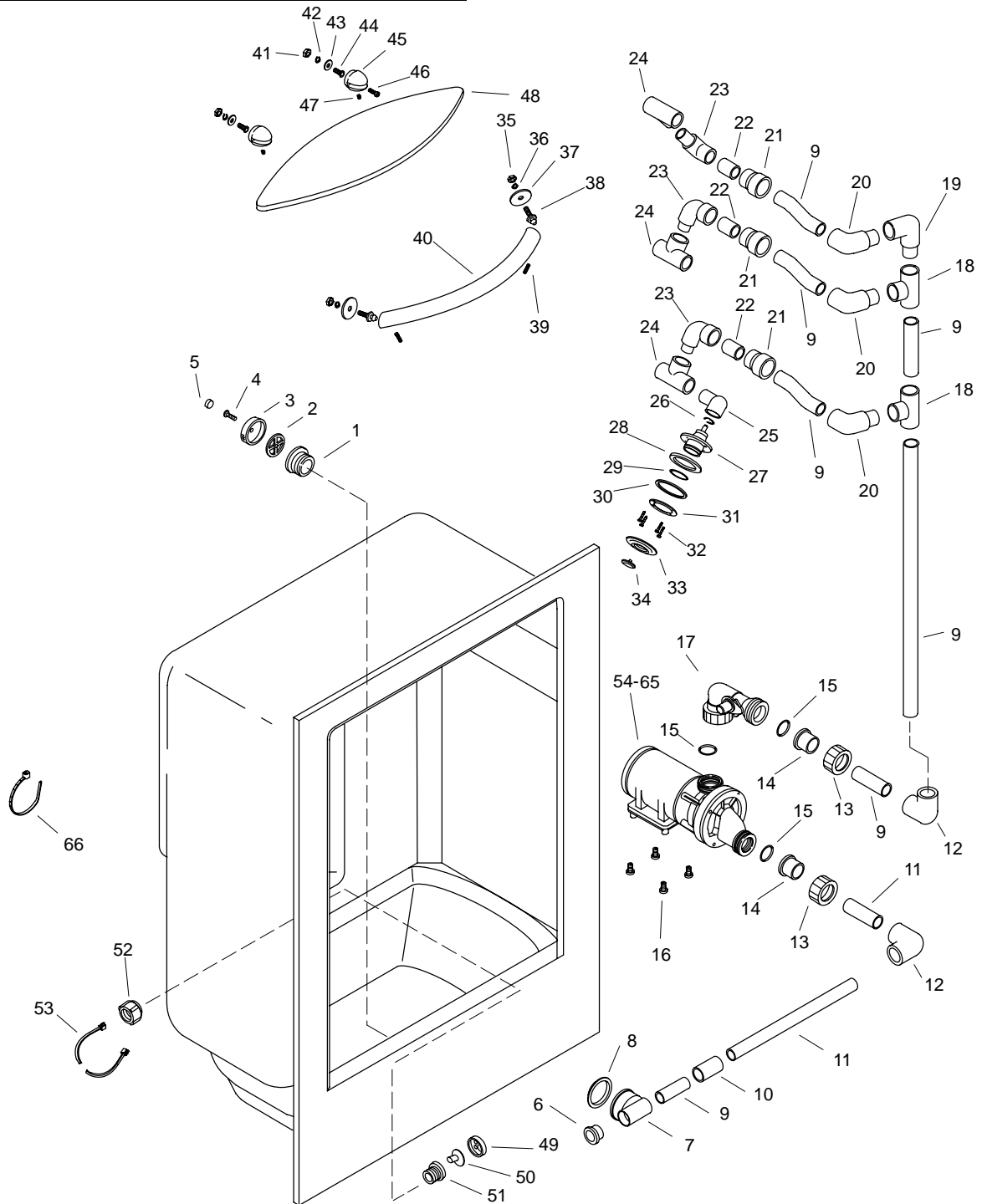


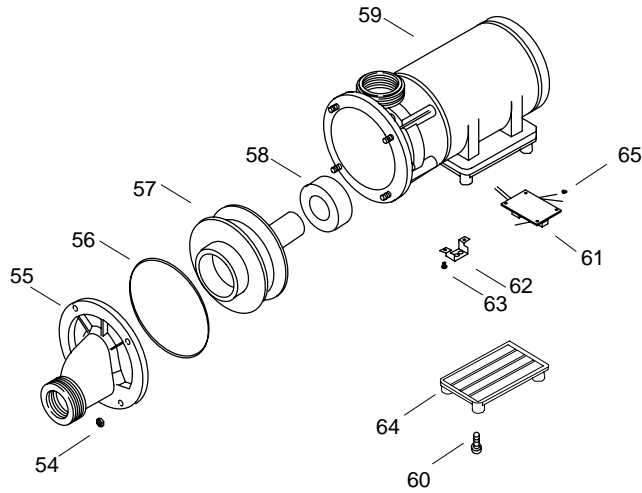
KOHLER® SERVICE PARTS

BODYSPA™ MODULE BATHING SYSTEM

K#	Pump Location	w/Heater
K-1050-CP-**-AA	Right hand	In Pump
K-1050-PB-**-AA	Right hand	In Pump
K-1051-CP-**-AA	Left hand	In Pump
K-1051-PB-**-AA	Left hand	In Pump



****Finish/color code must be specified when ordering.**



Pump w/Integral Heater
93827

****Finish/color code must be specified when ordering.**

KOHLER® SERVICE PARTS

BODYSIPA™ MODULE BATHING SYSTEM

SERVICE PARTS

ITEM	PART NO.	DESCRIPTION
1	65036	Flange
2	65355	Spacer
3	67999**	Cover
4	65054	Screw
5	65226**	Plug
6	73518	Slip Plug
7	93685	Housing
8	65886	Gasket
9		Available in Service Kit Only
10	61249	Coupling
11		Available in Service Kit Only
12	61213	Elbow
13	60979-A	Slip Nut
14	93709	Connector
15	94821	O-Ring
16	73515-A	Isolation Mount
17		Available in Service Kit Only
18	61010	Tee
19	61567	Elbow
20	94255	Elbow
21	95528	Coupling
22		Available in Service Kit Only
23	60714	Elbow
24	94313	Tee
25	94076	Elbow
26	94672	E-Ring
27		Available in Service Kit Only
28	94143	Spacer
29	94110	O-Ring
30	95234	Gasket
31	94155	Ring
32	94308	Screw
33	94078**	Flange
34	94079**	Hub
35	60044	Nut
36	60043	Washer
37	32593	Washer
38	92622	Grommet
39	95715	Screw
40	95523**	Grab Bar
41	66495	Nut
42	66497	Washer
43	66496	Washer
44	95529	Insert
45	77162**	Bracket
46	95713	Screw
47	95712	Screw
48	95521	Shelf
49	93765**	Cover
50	73589	Switch Assy
51	73513	Housing
52	65157	Nut
53	95530	Wire
54	73559	Nut
55	73552	Cover Assy
56	73558	O-Ring
57	73555	Impeller
58	60985	Shaft Seal
59	73534	Motor Assy
60	94812	Screw
61	73580	Circuit Board Assy
62	74705	Barrier
63	21998	Screw
64	73569	Base
65	92230	Wire Joint
66	67081	Cable

SERVICE KITS

PART NO.	ITEM	QTY.	DESCRIPTION
94853			1-1/2" Tube Kit
	9	1 ea.	Tube
		2 ea.	Coupling
93839			1-1/4" Tube Kit
	22	1 ea.	Tube
		2 ea.	Coupling
94890			1-1/2" Suction Tube Kit
	11	1 ea.	Tube
		1 ea.	Elbow
93827			Pump (w/Integral Heater)
	54	4 ea.	Nut
	55	1 ea.	Cover Assy.
	56	1 ea.	O-Ring
	57	1 ea.	Impeller
	58	1 ea.	Shaft Seal
	59	1 ea.	Motor Assy.
	60	4 ea.	Screw
	61	1 ea.	Circuit Board Assy.
	62	1 ea.	Barrier
	63	4 ea.	Screw
	64	1 ea.	Base
	65	1 ea.	Wire Joint
95203			Jet
	26	1 ea.	E-Ring
	27	1 ea.	Jet
95886			Valve
	17	1 ea.	Valve
	15	1 ea.	O-Ring

****Finish/color code must be specified when ordering.**

****Finish/color code must be specified when ordering.**