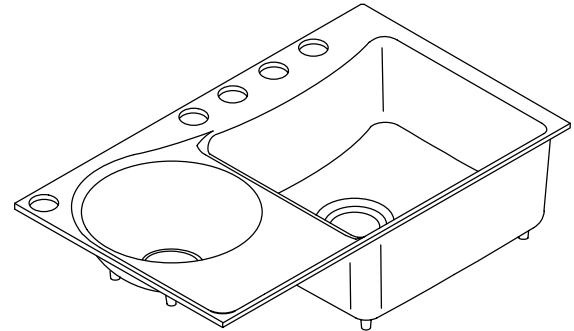


UNDERCOUNTER KITCHEN SINK

K-5879-5U

FEATURES

- 36" x 22"
- Cast iron
- Undercounter
- 5-hole (oversized) drilling
- Includes hardwood cutting board



CODES/STANDARDS APPLICABLE

Specified model meets or exceeds the following:

- ASME/ANSI A112.19.1M
- IAPMO/UPC
- Canadian Standards Association (CSA)
- State of Massachusetts

COLORS/FINISHES

- 0 White
- Other Refer to Fixtures Price Book for additional colors

Accessories:

- CP Polished Chrome
- 0 White
- NA None Applicable
- Other Refer to Price Book for additional colors

SPECIFIED MODEL:

Model	Description	Colors/Finishes	
K-5879-5U	5-hole (oversized) sink	<input type="checkbox"/> 0 White	<input type="checkbox"/> Other_____
Optional Accessories			
K-6008	Bottom basin rack	<input type="checkbox"/> 0 White	<input type="checkbox"/> Other_____
K-8801	Duostrainer sink strainer	<input type="checkbox"/> CP	<input type="checkbox"/> Other_____

PRODUCT SPECIFICATION:

The undercounter sink shall be 36" in length, and 22" in width. Sink shall be made of cast iron. Sink shall be double compartment. Sink shall be 5-hole (oversized) drilled. Sink shall include hardwood cutting board. Sink shall be Kohler Model K-5879-5U-_____.

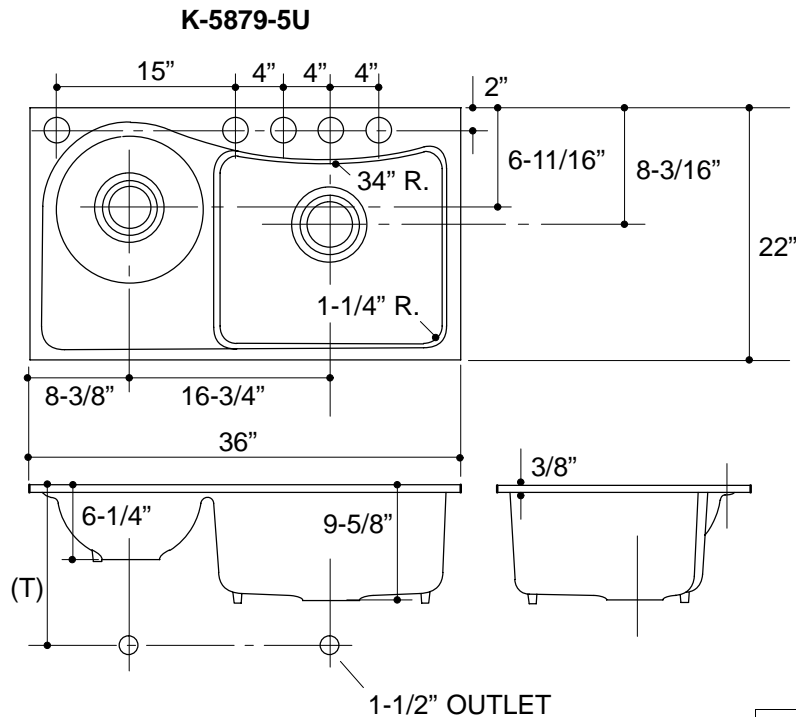
CILANTRO™

PRODUCT INFORMATION

Fixture*:		basin area	water depth
Sink, small		11-1/2" D.	5"
Sink, large		19" x 18"	8-1/2"
Outlet	3-7/8" D.		
Faucet and spout holes	2-3/8" D.		

* Approximate measurements for comparison only.

Included Components:	
Cutout template	114832-7
Hardwood cutting board	95723



14

Roughing-In Notes
(T) Drain typically 14".

PRODUCT DIAGRAM