

Ordering Information

Accessories/hardware:		
Bottom basin rack	K-6008	optional

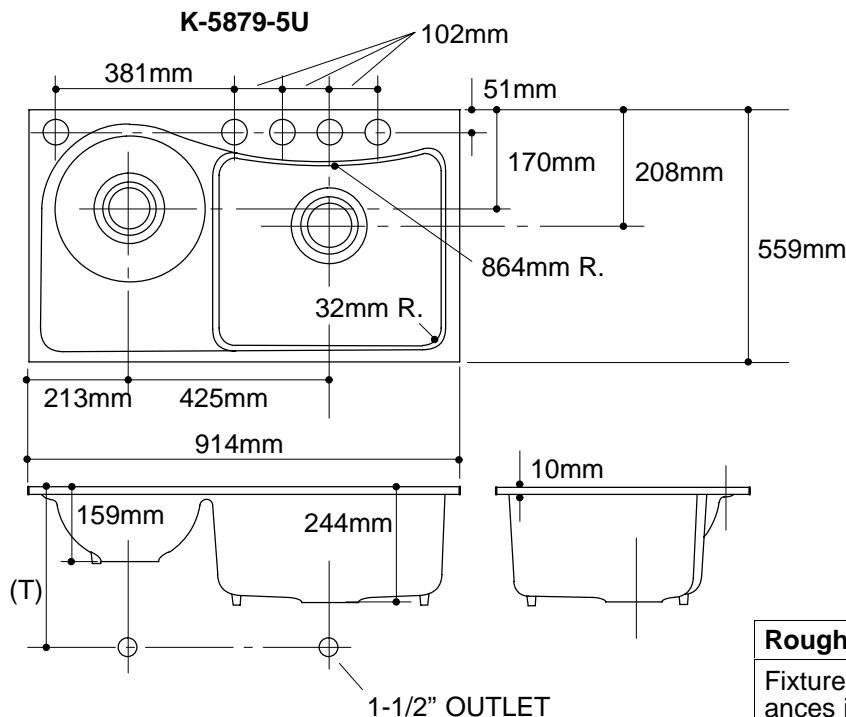
Product Information

Fixture*:		basin area	water depth
Sink, small		Ø292mm	127mm
Sink, large		483 x 457mm	216mm
Outlet	Ø98mm		
Faucet and spout holes	Ø60mm		
* Approximate measurements for comparison only.			

Included Components:	
Cutout template	114832-7
Hardwood cutting board	95723

Installation Notes

Refer to installation instructions included with fixture before beginning installation.



Roughing-In Notes

Fixture dimensions are nominal and conform to tolerances in ASME/ANSI Standard A112.19.1M.

(T) Drain typically 356mm.