

Ordering Information

Applicable product:		
Four-hole sink, Right side	K-5882R-4U	shown
Four-hole sink, Left side	K-5882L-4U	not shown
Accessories/hardware:		
Bottom basin rack	K-6007	optional

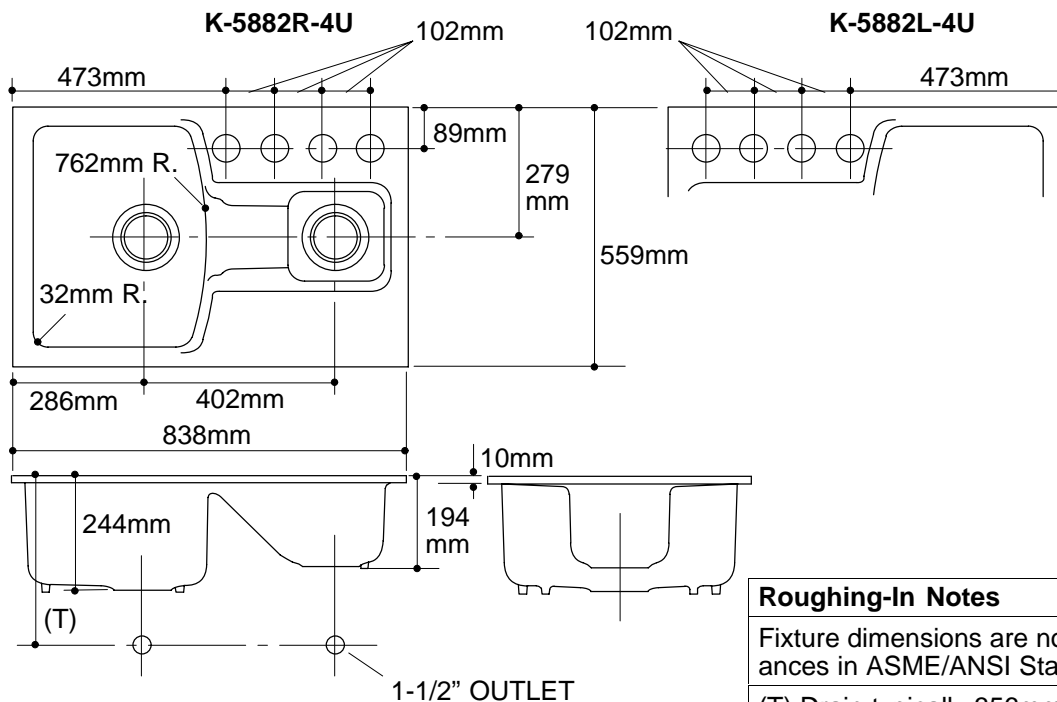
Product Information

Fixture*:		basin area	water depth
Sink, small		381 x 203mm	152mm
Sink, large		381 x 483mm	203mm
Outlet	Ø98mm		
Faucet and spout holes	Ø60mm		
* Approximate measurements for comparison only.			

Included Components:	
Cutout template	114833-7
Hardwood cutting board	95720

Installation Notes

Refer to installation instructions included with fixture before beginning installation.



Roughing-In Notes

Fixture dimensions are nominal and conform to tolerances in ASME/ANSI Standard A112.19.1M.

(T) Drain typically 356mm.