

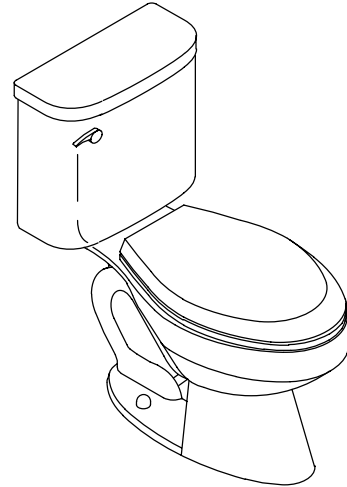
### FEATURES

- 12" rough-in
- Vitreous china
- Elongated bowl
- 1.6 gpf
- Includes polished chrome trip lever
- Combination toilet
- Less seat and supply

### CODES/STANDARDS APPLICABLE

Specified model meets or exceeds the following:

- ASME/ANSI A112.19.2M
- ASME/ANSI A112.19.6M
- Energy Policy Act of 1992 (EPACT)
- IAPMO/UPC
- Canadian Standards Association (CSA)
- State of Texas



### COLORS/FINISHES

- 0 White
- 47 Almond
- 55 Innocent Blush
- 95 Ice Grey
- 96 Biscuit

### SPECIFIED MODEL:

Model	Description	Colors/Finishes		
K-3556	Elongated bowl toilet	<input type="checkbox"/> 0 White	<input type="checkbox"/> Other_____	
Recommended Accessories				
K-4652	Lustra™ seat with cover	<input type="checkbox"/> 0 White	<input type="checkbox"/> Other_____	
K-7637	Angle supply with stop	<input type="checkbox"/> CP	<input type="checkbox"/> PB	<input type="checkbox"/> Other_____

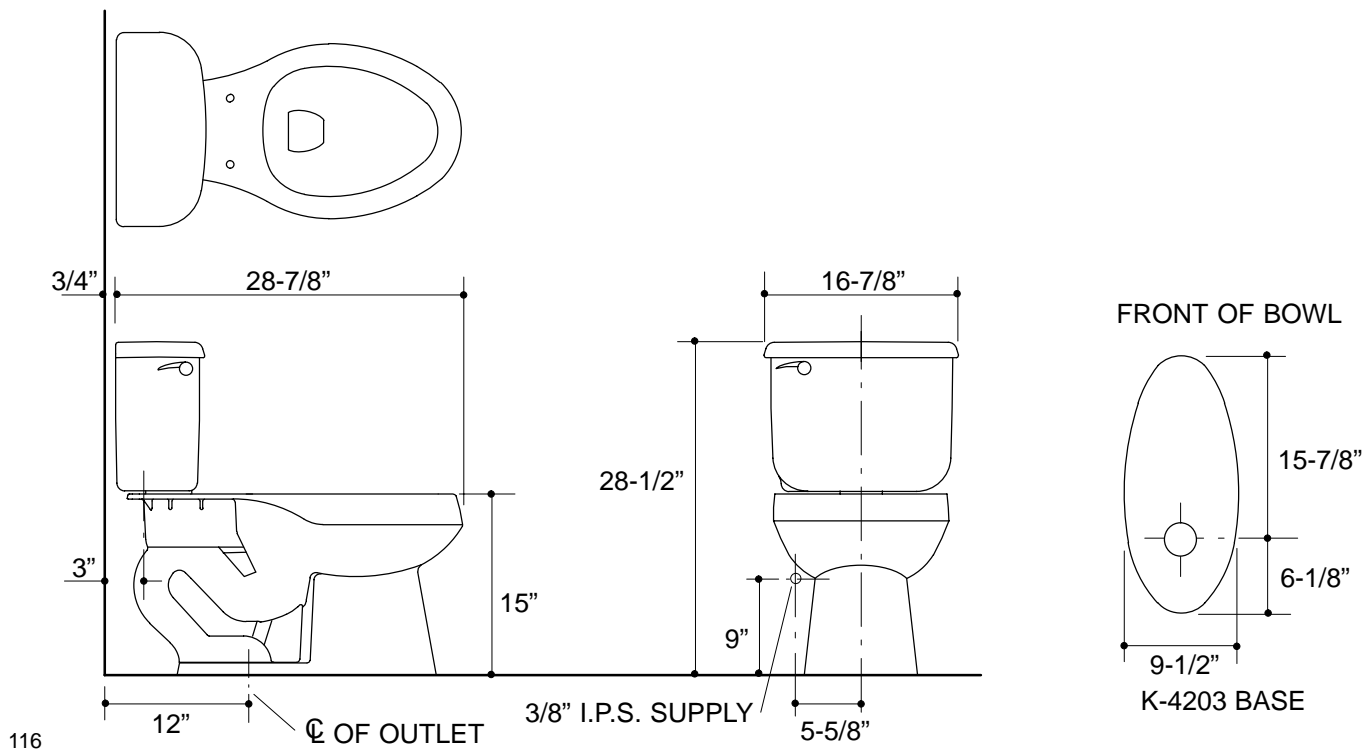
### PRODUCT SPECIFICATION:

The elongated combination toilet shall be 12" rough-in. Toilet shall be made of vitreous china. Toilet shall be 1.6 gpf. Toilet shall include polished chrome trip lever. Toilet shall be less seat and supply. Kohler toilet shall be Model K-3556-\_\_\_\_\_.

# CONFIDANTE

## PRODUCT INFORMATION

Fixture:	
Configuration	2-piece, elongated
Gallons per flush	1.6
Passageway	2"
Water depth from rim	6"
Seat post hole centers	5-1/2"
Included Components:	
Bowl	K-4203
Tank	K-4456
Tank cover	84537
Trip lever	81618



## PRODUCT DIAGRAM