

## Ordering Information

Applicable product:		
Left outlet, integral flange	K-1239-L	shown
Right outlet, integral flange	K-1239-R	not shown
Drop-in rim style	K-1239	not shown
Accessories/hardware:		
Jet trim kit	K-9695	included
Drain	K-7161-AF	recommended
Apron	K-1278	optional

## Required Electrical Service

Dedicated circuit required, protected with Class A Ground-Fault Circuit-Interrupter (GFCI):	
Pump/control	120 V., 15 A, 60 Hz

## Product Information

Fixture*:	basin area	top area	weight
Bathing well	46" x 24"	54" x 27"	105 lbs.
	water depth	capacity	
To overflow	14"	63 gal.	

\* Approximate measurements for comparison only.

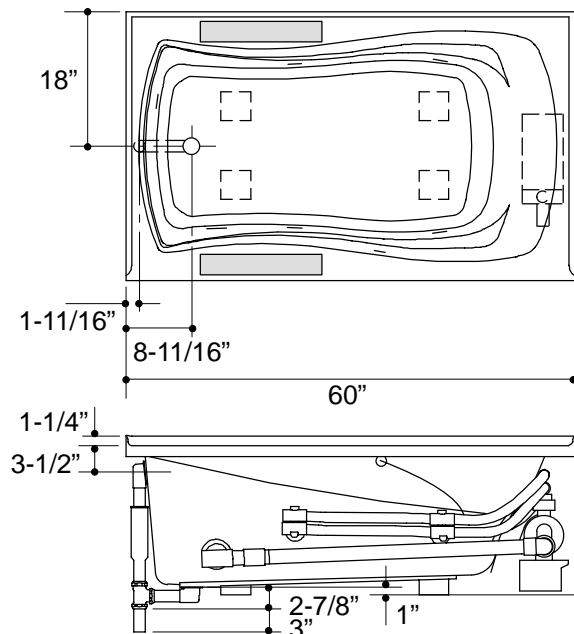
Pump:	HP	V	Hz	A
1-speed	3/4	120	60	10.5

## Installation Notes

Refer to installation instructions included with fixture before beginning installation.

Each pump is supplied with a grounding-type plug-in cord. Locate the outlet behind the whirlpool, and within 24" of the pump.

The apron must be installed before the finish floor and wall materials are installed.



1.25>132

## Roughing-In Notes

Fixture conforms to ANSI Standard Z124.1. All dimensions are nominal.

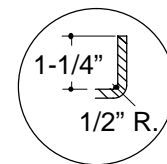
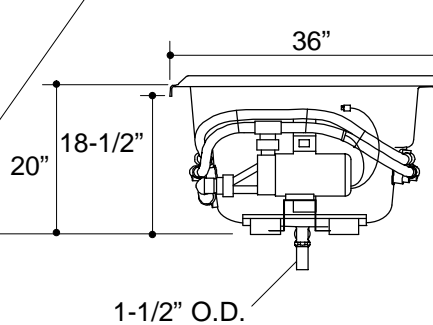
No change in measurements if connected with drain illustrated.

Cut-out Drop-in rim style, 58" x 34"

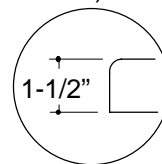
Minimum access panel:

Pump/control	20" W x 15" H	required
Faucet area		recommended

PUMP/CONTROL ACCESS (IF APRON IS NOT USED)



INTEGRAL  
FLANGE  
DETAIL



DROP-IN  
RIM  
DETAIL