

### Ordering Information

Applicable product:		
Left outlet, integral flange	K-1242-L	shown
Right outlet, integral flange	K-1242-R	not shown
Drop-in rim style	K-1242	not shown
Accessories/hardware:		
Drain	K-7161-AF	recommended
Apron	K-1278	optional

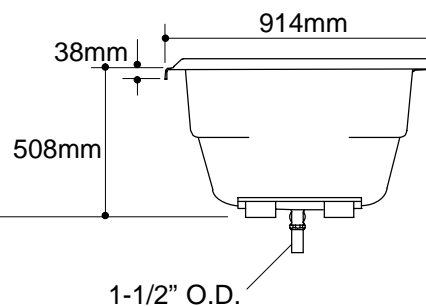
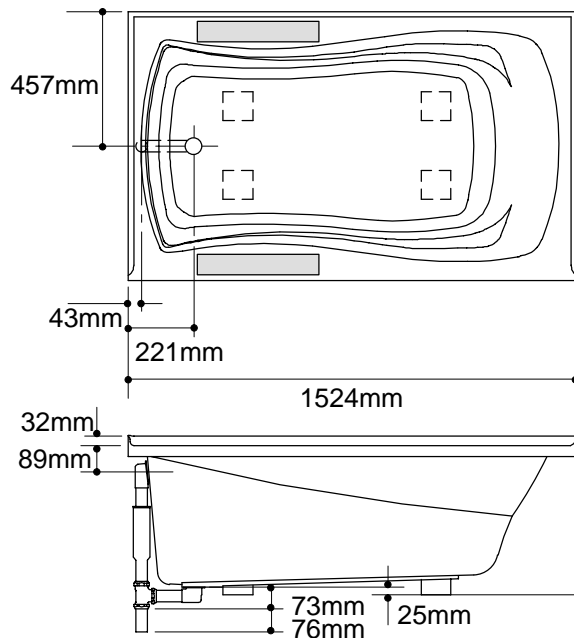
### Product Information

Fixture*:	basin area	top area	weight
Bathing well	1168 x 610mm	1372 x 686mm	28 Kg.
	water depth	capacity	
To overflow	356mm	238 litres	
* Approximate measurements for comparison only.			

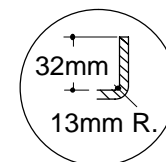
### Installation Notes

Refer to installation instructions included with fixture before beginning installation.

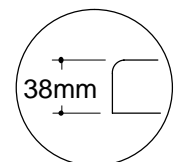
The apron must be installed before the finish floor and wall materials are installed.



<b>Roughing-In Notes</b>	
Fixture conforms to ANSI Standard Z124.1. All dimensions are nominal.	
No change in measurements if connected with drain illustrated.	
Cut-out	Drop-in rim style, 1473 x 864mm
Faucet area	recommended



**INTEGRAL FLANGE DETAIL**



**DROP-IN RIM DETAIL**

1.25>132

**K-1242 Mariposa™ Bath**  
114837-1M-BA (-)