

Ordering Information

Applicable product:		
Left outlet, integral flange	K-1257-L	shown
Right outlet, integral flange	K-1257-R	not shown
Drop-in rim style	K-1257	not shown
Accessories/hardware:		
Jet trim kit	K-9696	included
Drain	K-7166-AF	recommended
Apron	K-1283	optional

Required Electrical Service

Dedicated circuit required, protected with Class A Ground-Fault Circuit-Interrupter (GFCI):	
Pump/control	120 V., 15 A, 60 Hz

Product Information

Fixture*:	basin area	top area	weight
Bathing well	1270 x 610mm	1651 x 686mm	50 Kg.
	water depth	capacity	
To overflow	356mm	273 litres	

* Approximate measurements for comparison only.

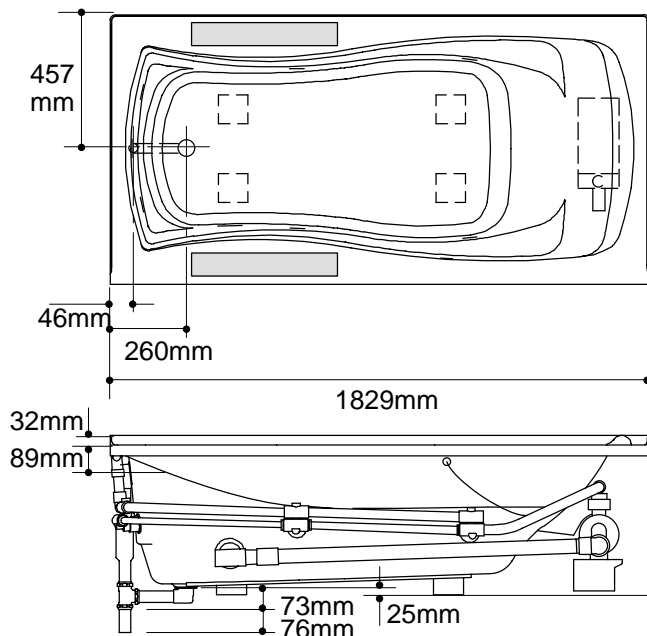
Pump:	HP	V	Hz	A
1-speed	3/4	120	60	10.5

Installation Notes

Refer to installation instructions included with fixture before beginning installation.

Each pump is supplied with a grounding-type plug-in cord. Locate the outlet behind the whirlpool, and within 610mm of the pump.

The apron must be installed before the finish floor and wall materials are installed.



Roughing-In Notes

Fixture conforms to ANSI Standard Z124.1. All dimensions are nominal.

No change in measurements if connected with drain illustrated.

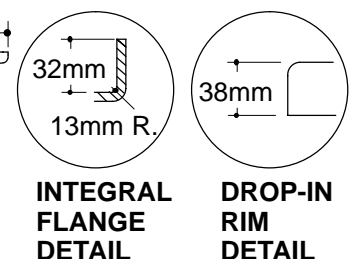
Cut-out Drop-in rim style, 1778 x 686mm

Minimum access panel:

Pump/control 508mm W x 381mm H required

Faucet area recommended

PUMP/CONTROL ACCESS (IF APRON IS NOT USED)



1.25>132

K-1257 Mariposa™ 6' Bath Whirlpool
114838-1M-BA (-)

KOHLER®