

### Ordering Information

Applicable product:		
Left outlet, integral flange	K-1259-L	shown
Right outlet, integral flange	K-1259-R	not shown
Drop-in rim style	K-1259	not shown
Accessories/hardware:		
Drain	K-7166-AF	recommended
Apron	K-1283	optional

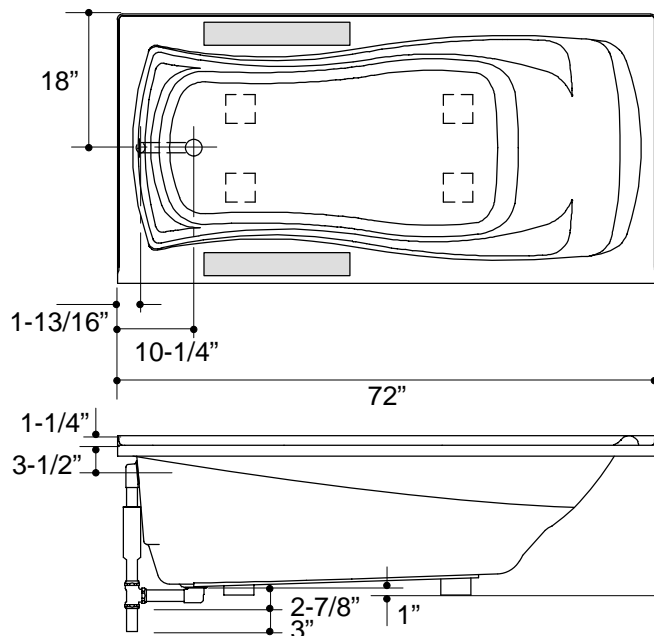
### Product Information

Fixture*:	basin area	top area	weight
Bathing well	50" x 24"	65" x 27"	77 lbs.
	water depth	capacity	
To overflow	14"	72 gal.	
* Approximate measurements for comparison only.			

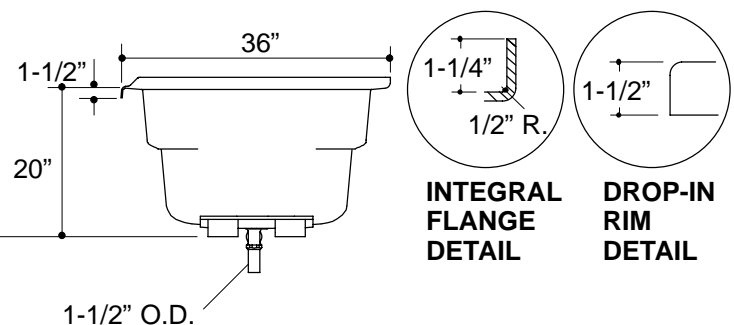
### Installation Notes

Refer to installation instructions included with fixture before beginning installation.

The apron must be installed before the finish floor and wall materials are installed.



<b>Roughing-In Notes</b>	
Fixture conforms to ANSI Standard Z124.1. All dimensions are nominal.	
No change in measurements if connected with drain illustrated.	
Cut-out	K-1259 drop-in rim style, 70" x 34"
Faucet area	recommended



1.25>132